



Illumination function element, SmartWire-DT, LED, red, front mount

Part no. M22-SWD-LED-R
Article no. 115969
Catalog No. M22-SWD-LED-RQ



Delivery program

Product range		Accessories						
Function		for combination with RMQ-Titan operating elements M22-...						
Fixing		Front fixing						
Configuration		<table border="1"> <tr> <td>1</td> <td>3</td> <td>2</td> </tr> <tr> <td>4</td> <td>6</td> <td>5</td> </tr> </table>	1	3	2	4	6	5
1	3	2						
4	6	5						
Colour								
		red						
Connection to SmartWire-DT		yes						

Technical data

General

Standards		IEC/EN 61131-2 EN 50178
Dimensions (W x H x D)	mm	10 x 42 x 45
Weight	g	10
Mounting position		As required

Ambient conditions, mechanical

Protection type (IEC/EN 60529, EN50178, VBG 4)		IP20
Vibrations (IEC/EN 61131-2:2008)		
Constant amplitude 3,5 mm	Hz	5 - 8.4
Constant acceleration 1 g	Hz	8.4 - 150
Mechanical shock resistance (IEC/EN 60068-2-27) semi-sinusoidal 15 g/11 ms	Impacts	9
Drop to IEC/EN 60068-2-31	Drop height mm	50
Free fall, packaged (IEC/EN 60068-2-32)	m	0.3

Electromagnetic compatibility (EMC)

Overvoltage category		Not applicable
Pollution degree		2
Electrostatic discharge (IEC/EN 61131-2:2008)		
Air discharge (Level 3)	kV	8
Contact discharge (Level 2)	kV	4
Electromagnetic fields (IEC/EN 61131-2:2008)		
80 - 1000 MHz	V/m	10
1.4 - 2 GHz	V/m	3
2 - 2.7 GHz	V/m	1
Radio interference suppression (SmartWire-DT)		EN 55011 Class A
Burst (IEC/EN 61131-2:2008, Level 3)		
Supply cable	kV	2
SmartWire-DT cable	kV	1
Radiated RFI (IEC/EN 61131-2:2008, Level 3)	V	10

Climatic environmental conditions

Relative humidity			
Condensation			Take appropriate measures to prevent condensation
Relative humidity, non-condensing (IEC/EN 60068-2-30)		%	9 - 95

SmartWire-DT network

Station type			SmartWire-DT slave
Status indication		LED	Green
Connections			Plug, 8-pole
Plug connectors			SWD4-8SF2-5

Design verification as per IEC/EN 61439

Technical data for design verification			
Rated operational current for specified heat dissipation	I_n	A	0
Heat dissipation per pole, current-dependent	P_{vid}	W	0
Equipment heat dissipation, current-dependent	P_{vid}	W	0
Static heat dissipation, non-current-dependent	P_{vs}	W	0.3
Heat dissipation capacity	P_{diss}	W	0
Operating ambient temperature min.		°C	-30
Operating ambient temperature max.		°C	70
IEC/EN 61439 design verification			
10.2 Strength of materials and parts			
10.2.2 Corrosion resistance			
10.2.2.1 Verification of thermal stability of enclosures			Meets the product standard's requirements.
10.2.2.2 Verification of resistance of insulating materials to normal heat			Meets the product standard's requirements.
10.2.2.3 Verification of resistance of insulating materials to abnormal heat and fire due to internal electric effects			Meets the product standard's requirements.
10.2.4 Resistance to ultra-violet (UV) radiation			Meets the product standard's requirements.
10.2.5 Lifting			Does not apply, since the entire switchgear needs to be evaluated.
10.2.6 Mechanical impact			Does not apply, since the entire switchgear needs to be evaluated.
10.2.7 Inscriptions			Meets the product standard's requirements.
10.3 Degree of protection of ASSEMBLIES			
10.4 Clearances and creepage distances			
10.5 Protection against electric shock			
10.6 Incorporation of switching devices and components			
10.7 Internal electrical circuits and connections			
10.8 Connections for external conductors			
10.9 Insulation properties			
10.9.2 Power-frequency electric strength			Is the panel builder's responsibility.
10.9.3 Impulse withstand voltage			Is the panel builder's responsibility.
10.9.4 Testing of enclosures made of insulating material			Is the panel builder's responsibility.
10.10 Temperature rise			
10.11 Short-circuit rating			
10.12 Electromagnetic compatibility			
10.13 Mechanical function			

Technical data ETIM 6.0

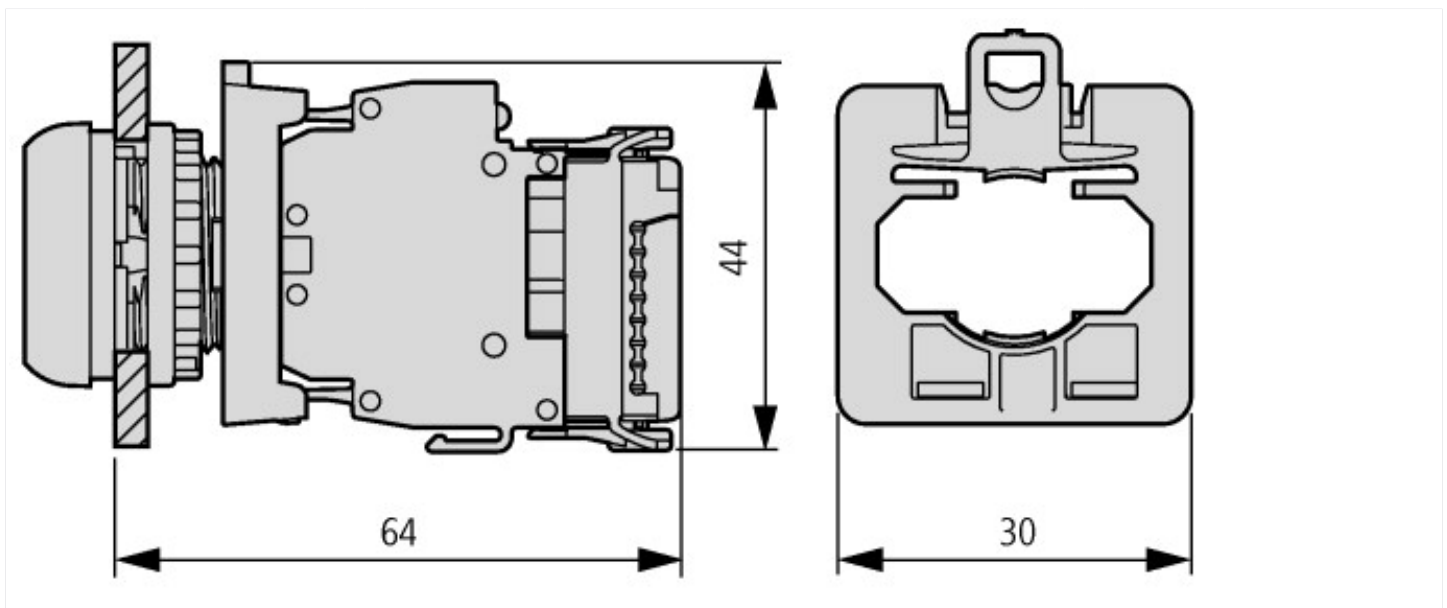
Low-voltage industrial components (EG000017) / Lamp holder block for control circuit devices (EC000204)			
Electric engineering, automation, process control engineering / Low-voltage switch technology / Command and alarm device / Bulb socket block for command and alarm devices (ecI@ss8.1-27-37-12-09 [AKF027011])			
With integrated transformer			No
With integrated voltage decreasing resistor			No
With integrated lamp			Yes
With integrated diode			No
Lamp holder			None

Rated voltage Ue at AC 50 Hz	V	0 - 0
Rated voltage Ue at AC 60 Hz	V	0 - 0
Rated voltage Ue at DC	V	30 - 30
Voltage type for actuating		DC
Type of lamp		LED
Connection type auxiliary circuit		Flat plug-in connection
Colour lamp		Red
Type of fastening		Front fastening

Approvals

UL File No.		E29184
UL Category Control No.		NKCR
CSA File No.		2324643
CSA Class No.		3211-07
North America Certification		UL listed, CSA certified
Specially designed for North America		No

Dimensions



Pushbutton with function element

Additional product information (links)

IL04716004Z (AWA1160-2511) SmartWire-DT: RMQ-Titan	
IL04716004Z (AWA1160-2511) SmartWire-DT: RMQ-Titan	ftp://ftp.moeller.net/DOCUMENTATION/AWA_INSTRUCTIONS/IL04716004Z2015_02.pdf
MN05006001Z (AWB2723-1613) SWD modules	
MN05006001Z (AWB2723-1613) SWD-Teilnehmer - Deutsch	ftp://ftp.moeller.net/DOCUMENTATION/AWB_MANUALS/MN05006001Z_DE.pdf
MN05006001Z (AWB2723-1613) SWD modules - English	ftp://ftp.moeller.net/DOCUMENTATION/AWB_MANUALS/MN05006001Z_EN.pdf
MN05006001Z (AWB2723-1613) udente SWD - italiano	ftp://ftp.moeller.net/DOCUMENTATION/AWB_MANUALS/MN05006001Z_IT.pdf
MN05006002Z (AWB2723-1617) SmartWire-DT, The system	
MN05006002Z (AWB2723-1617) SmartWire-DT, Das System - Deutsch	ftp://ftp.moeller.net/DOCUMENTATION/AWB_MANUALS/MN05006002Z_DE.pdf
MN05006002Z (AWB2723-1617) SmartWire-DT, The system - English	ftp://ftp.moeller.net/DOCUMENTATION/AWB_MANUALS/MN05006002Z_EN.pdf
MN05006002Z (AWB2723-1617) SmartWire-DT, il sistema - italiano	ftp://ftp.moeller.net/DOCUMENTATION/AWB_MANUALS/MN05006002Z_IT.pdf