

Light-barrier reflector, D=40mm

Part no. LSO-XR40
Article no. 281983
Catalog No. -

Delivery program

Description			For combination with reflected-light barrier
Diameter		mm	40

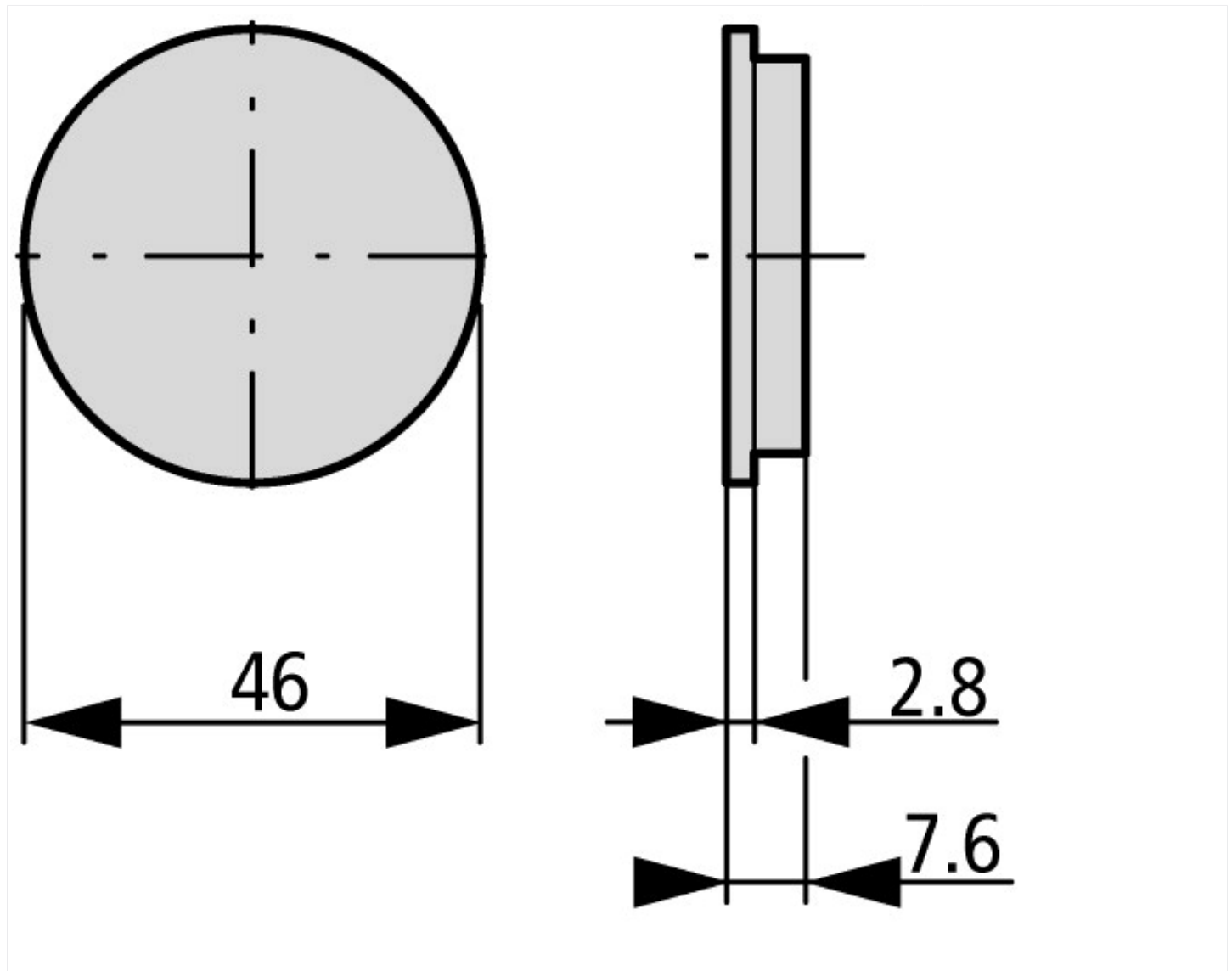
Technical data ETIM 6.0

Sensors (EG000026) / Accessories for position switches (EC002594)

Electric engineering, automation, process control engineering / Binary sensor technology, safety-related sensor technology / Binary sensor technology, safety-related sensor technology (accessories) / Position switch (accessories) (ecl@ss8.1-27-27-92-25 [ACN884008])

Type of accessory

Dimensions



Additional product information (links)

AWA1360-2158 Optical Proximity Switches

AWA1360-2158 Optical Proximity Switches ftp://ftp.moeller.net/DOCUMENTATION/AWA_INSTRUCTIONS/21580404.pdf