

Part no. **IN20N4-10W**  
 Article no. **123335**

## Delivery program

Product range			Air circuit-breakers/switch-disconnectors
Product range			Open switch-disconnectors
Current Range			4000 to 6300 A
Protective function			without protection
Installation type			Withdrawable
Construction size			IN20
Standard/Approval			IEC
Number of poles			4 pole
Degree of Protection			IP20, IP55 with protective cover
Rated current = rated uninterrupted current	$I_n = I_u$	A	1000
up to 440 V 50/60 Hz	$I_{cm}$	kA	69
t = 1 s	$I_{cw}$	kA	65
t = 3 s	$I_{cw}$	kA	40

### Notes

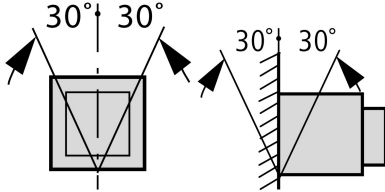
Including rear connection main terminals and secondary terminal blocks according to ordered breaker options.

Note concerning the product

Cassette needs to be ordered separately.

## Technical data

### General

Standards			IEC/EN 60947
Ambient temperature			
Storage	$\theta$	°C	-40 - +70
Operating (open)		°C	-25 - +70
Mounting position			
Utilization category			B
Degree of Protection			IP20, IP55 with protective cover
Direction of incoming supply			as required

### Main conducting paths

Rated current = rated uninterrupted current	$I_n = I_u$	A	1000
Rated uninterrupted current at 50 °C	$I_u$	A	1000
Rated uninterrupted current at 60 °C	$I_u$	A	1000
Rated uninterrupted current at 70 °C	$I_u$	A	1000
Rated impulse withstand voltage	$U_{imp}$	V AC	8000
Rated operational voltage	$U_e$	V AC	690
Use in IT electrical power networks up to U = 440 V	$I_{IT}$	kA	21
Overvoltage category/pollution degree			III/3
Rated insulation voltage	$U_i$	V	1000

### Switching capacity

Rated short-circuit making capacity	$I_{cm}$		
up to 440 V 50/60 Hz	$I_{cm}$	kA	69
up to 690 V 50/60 Hz	$I_{cm}$	kA	143
Rated short-time withstand current 50/60 Hz			

t = 1 s	I <sub>cw</sub>	kA	65
t = 3 s	I <sub>cw</sub>	kA	40
<b>Operating times</b>			
Closing delay via spring release		ms	35
Break times		ms	40
Total opening delay via shunt release		ms	30
Total opening delay via undervoltage release		ms	35/70
<b>Maximum operating frequency</b>			
Maximum operating frequency	Operations/h		60
<b>Heat dissipation at rated current I<sub>n</sub></b>			
Fixed mounting		W	70
Withdrawable units (switch with cassette)		W	140

## Weight

<b>Fixed mounting</b>			
3-pole		kg	43
4-pole		kg	54
<b>Withdrawable</b>			
3-pole		kg	48
4-pole		kg	62
<b>Cassette</b>			
3 pole		kg	34
4 pole		kg	38

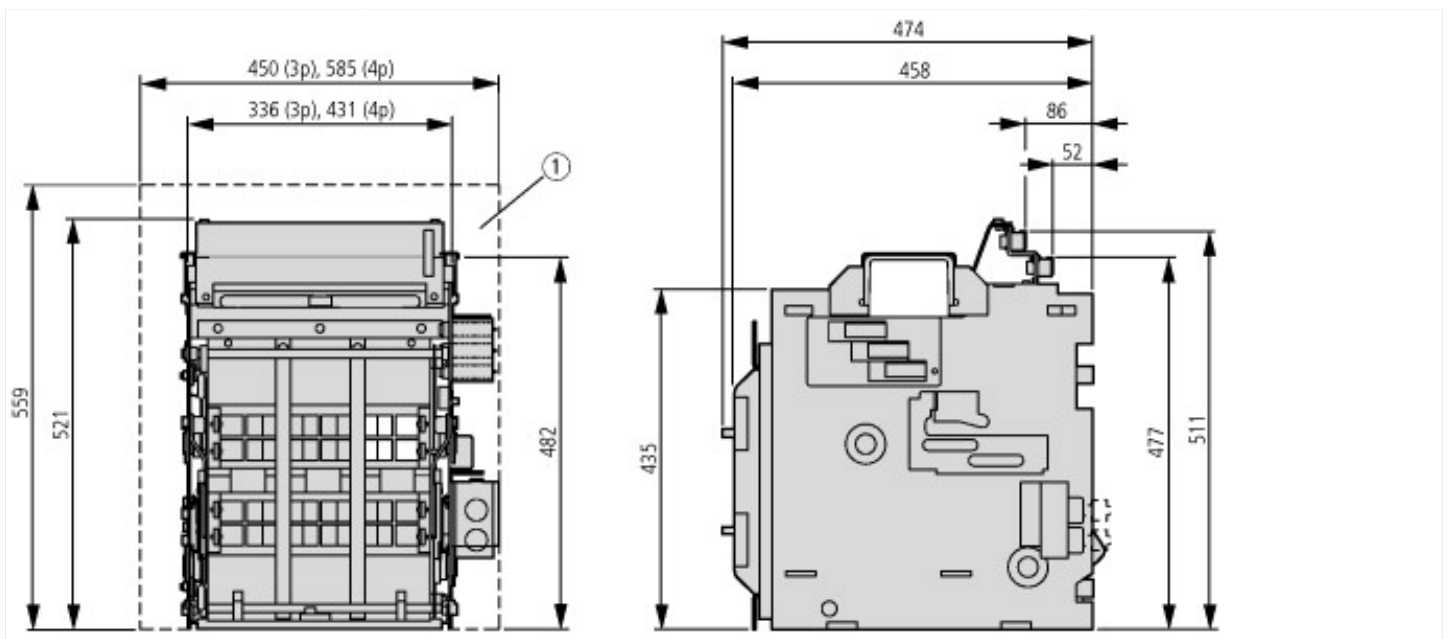
## Terminal capacities

<b>Copper bar</b>			
<b>Fixed mounting</b>			
Black		mm	2 x 5 x 60
<b>Withdrawable units</b>			
Black		mm	2 x 5 x 60
Permissible continuous current for circuit-breakers operating in switchboards at various internal ambient temperatures. The switchboard's internal ambient temperature should be estimated using the calculation methods of IEC regulation.			

## Design verification as per IEC/EN 61439

<b>Technical data for design verification</b>			
Operating ambient temperature min.		°C	-25
Operating ambient temperature max.		°C	70

## Dimensions



① Recommended minimum enclosure size (not shown to scale)

