

Part no. **IN20B3-12F**
 Article no. **123426**

Delivery program

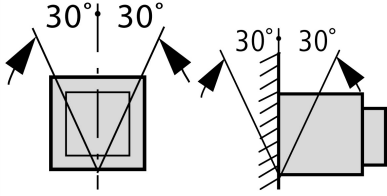
Product range			Air circuit-breakers/switch-disconnectors
Product range			Open switch-disconnectors
Current Range			4000 to 6300 A
Protective function			without protection
Installation type			Fixed
Construction size			IN20
Standard/Approval			IEC
Number of poles			3 pole
Degree of Protection			IP20, IP55 with protective cover
Rated current = rated uninterrupted current	$I_n = I_u$	A	1250
up to 440 V 50/60 Hz	I_{cm}	kA	55
t = 1 s	I_{cw}	kA	50

Notes

Including rear connection main terminals and secondary terminal blocks according to ordered breaker options.

Technical data

General

Standards			IEC/EN 60947
Ambient temperature			
Storage	θ	°C	-40 - +70
Operating (open)		°C	-25 - +70
Mounting position			
Utilization category			B
Degree of Protection			IP20, IP55 with protective cover
Direction of incoming supply			as required

Main conducting paths

Rated current = rated uninterrupted current	$I_n = I_u$	A	1250
Rated uninterrupted current at 50 °C	I_u	A	1250
Rated uninterrupted current at 60 °C	I_u	A	1100
Rated uninterrupted current at 70 °C	I_u	A	1000
Rated impulse withstand voltage	U_{imp}	V AC	8000
Rated operational voltage	U_e	V AC	690
Use in IT electrical power networks up to U = 440 V	I_{IT}	kA	21
Overvoltage category/pollution degree			III/3
Rated insulation voltage	U_i	V	1000

Switching capacity

Rated short-circuit making capacity	I_{cm}		
up to 440 V 50/60 Hz	I_{cm}	kA	55
up to 690 V 50/60 Hz	I_{cm}	kA	105
Rated short-time withstand current 50/60 Hz			
t = 1 s	I_{cw}	kA	50
Operating times			
Closing delay via spring release		ms	35
Break times		ms	40

Total opening delay via shunt release	ms	30
Total opening delay via undervoltage release	ms	35/70
Maximum operating frequency	Ops./h	
Maximum operating frequency	Operations/h	60
Heat dissipation at rated current I_n		
Fixed mounting	W	150
Withdrawable units (switch with cassette)	W	260

Weight

Fixed mounting		
3-pole	kg	43
4-pole	kg	54
Withdrawable		
3-pole	kg	48
4-pole	kg	62
Cassette		
3 pole	kg	34
4 pole	kg	38

Terminal capacities

Copper bar		
Fixed mounting		
Black	mm	2 x 5 x 80
Withdrawable units		
Black	mm	2 x 5 x 80
Permissible continuous current for circuit-breakers operating in switchboards at various internal ambient temperatures. The switchboard's internal ambient temperature should be estimated using the calculation methods of IEC regulation.		

Design verification as per IEC/EN 61439

Technical data for design verification		
Operating ambient temperature min.	°C	-25
Operating ambient temperature max.	°C	70

Dimensions

