



Auxiliary contact, 1N/O+1N/C, for P1-P3

Part no. HI11-P1/P3E
Article no. 061813

Delivery program

| | | | |
|-----------------------------|-------|---|---|
| Product range | | | Accessories |
| Basic function | | | Auxiliary contact |
| Part group reference | | | P1 P3 |
| | | | Late-break switching-on behavior, early-make switching-off behavior The N/O is always connected as a load-shedding contact. For left and/or right side mounting |
| Contacts | | | |
| N/O = Normally open | | | 1 N/O |
| N/C = Normally closed | | | 1 NC |
| For use with | | | P1-.../E, .../EA..., .../EZ P3-.../E, .../EA |
| Rated uninterrupted current | I_u | A | 10 |

Technical data

Auxiliary contacts

| | | | |
|---|-------------------|-----------------|---|
| Standards | | | Control circuit isolator to IEC/EN 60947-5 |
| Rated insulation voltage | U_i | V AC | |
| Rated insulation voltage | U_i | V AC | 500 |
| Rated uninterrupted current | I_u | A | |
| Rated uninterrupted current | I_u | A | 10 |
| Rated operational current | I_e | A | |
| AC-15 | | | |
| 230 V | I_e | A | |
| AC-15 with 230 V | I_e | A | 6 |
| DC-13 | I_e | | |
| 125 V | I_e | A | 1.1 |
| 250 V | I_e | A | 0.55 |
| Short-circuit rating | | | |
| Maximum fuse | | A gG/gL | 10 |
| Terminal capacities | | mm ² | |
| Solid | | mm ² | 1 x 0.75 - 2.5 2 x 0.75 - 1.5 |
| Flexible with ferrules to DIN 46228 | | mm ² | 1 x 0.5 - 1.5 2 x 0.5 - 1.5 |
| Tightening torque | | Nm | 1 |
| Control circuit reliability at 24 V DC, 10 mA | Fault probability | H_F | < 10 ⁻⁵ , < 1 failure in 100000 operations |

Design verification as per IEC/EN 61439

| | | | |
|--|------------|----|------|
| Technical data for design verification | | | |
| Rated operational current for specified heat dissipation | I_n | A | 6 |
| Heat dissipation per pole, current-dependent | P_{vid} | W | 0.11 |
| Equipment heat dissipation, current-dependent | P_{vid} | W | 0 |
| Static heat dissipation, non-current-dependent | P_{vs} | W | 0 |
| Heat dissipation capacity | P_{diss} | W | 0 |
| Operating ambient temperature min. | | °C | -25 |
| Operating ambient temperature max. | | °C | 50 |
| IEC/EN 61439 design verification | | | |
| 10.2 Strength of materials and parts | | | |

| | | |
|--|--|--|
| 10.2.2 Corrosion resistance | | Meets the product standard's requirements. |
| 10.2.3.1 Verification of thermal stability of enclosures | | Meets the product standard's requirements. |
| 10.2.3.2 Verification of resistance of insulating materials to normal heat | | Meets the product standard's requirements. |
| 10.2.3.3 Verification of resistance of insulating materials to abnormal heat and fire due to internal electric effects | | Meets the product standard's requirements. |
| 10.2.4 Resistance to ultra-violet (UV) radiation | | Meets the product standard's requirements. |
| 10.2.5 Lifting | | Does not apply, since the entire switchgear needs to be evaluated. |
| 10.2.6 Mechanical impact | | Does not apply, since the entire switchgear needs to be evaluated. |
| 10.2.7 Inscriptions | | Meets the product standard's requirements. |
| 10.3 Degree of protection of ASSEMBLIES | | Does not apply, since the entire switchgear needs to be evaluated. |
| 10.4 Clearances and creepage distances | | Meets the product standard's requirements. |
| 10.5 Protection against electric shock | | Does not apply, since the entire switchgear needs to be evaluated. |
| 10.6 Incorporation of switching devices and components | | Does not apply, since the entire switchgear needs to be evaluated. |
| 10.7 Internal electrical circuits and connections | | Is the panel builder's responsibility. |
| 10.8 Connections for external conductors | | Is the panel builder's responsibility. |
| 10.9 Insulation properties | | |
| 10.9.2 Power-frequency electric strength | | Is the panel builder's responsibility. |
| 10.9.3 Impulse withstand voltage | | Is the panel builder's responsibility. |
| 10.9.4 Testing of enclosures made of insulating material | | Is the panel builder's responsibility. |
| 10.10 Temperature rise | | The panel builder is responsible for the temperature rise calculation. Eaton will provide heat dissipation data for the devices. |
| 10.11 Short-circuit rating | | Is the panel builder's responsibility. The specifications for the switchgear must be observed. |
| 10.12 Electromagnetic compatibility | | Is the panel builder's responsibility. The specifications for the switchgear must be observed. |
| 10.13 Mechanical function | | The device meets the requirements, provided the information in the instruction leaflet (IL) is observed. |

Technical data ETIM 6.0

Low-voltage industrial components (EG000017) / Auxiliary contact block (EC000041)

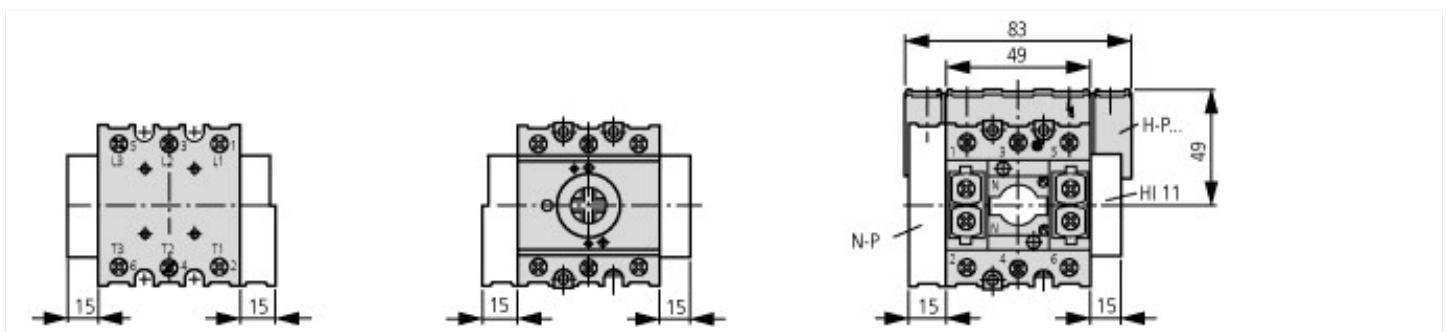
Electric engineering, automation, process control engineering / Low-voltage switch technology / Component for low-voltage switching technology / Auxiliary switch block (ecI@ss8.1-27-37-13-02 [AKN342010])

| | | |
|---|---|------------------|
| Number of contacts as change-over contact | | 0 |
| Number of contacts as normally open contact | | 1 |
| Number of contacts as normally closed contact | | 1 |
| Rated operation current I_e at AC-15, 230 V | A | 6 |
| Type of electric connection | | Screw connection |
| Model | | Top mounting |
| Mounting method | | Side mounting |

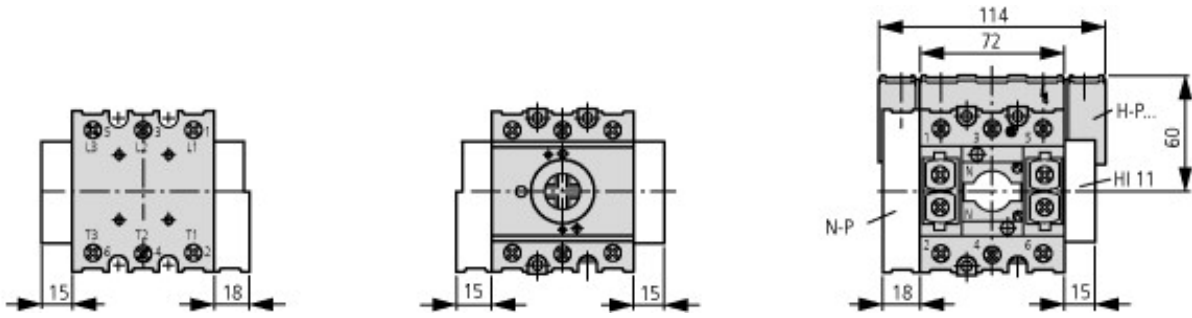
Approvals

| | | |
|-----------------------------|--|---|
| Product Standards | | UL 508; CSA-C22.2 No. 14-05; IEC/EN 60947-5; CE marking |
| UL File No. | | E36332 |
| UL Category Control No. | | NLRV |
| CSA File No. | | 12528 |
| CSA Class No. | | 3211-05 |
| North America Certification | | UL listed, CSA certified |

Dimensions



P1



P3

Additional product information (links)

| | |
|--|---|
| Technical overview cam switch, switch-disconnector | http://de.ecat.moeller.net/flip-cat/?edition=HPLTEv1&startpage=4.2 |
| System overview cam switch T | http://de.ecat.moeller.net/flip-cat/?edition=HPLTEv1&startpage=4.4 |
| System overview switch-disconnector P | http://de.ecat.moeller.net/flip-cat/?edition=HPLTEv1&startpage=4.6 |
| Key to part numbers Cam switch | http://de.ecat.moeller.net/flip-cat/?edition=HPLTEv1&startpage=4.8 |
| Key to part numbers Switch-disconnector | http://de.ecat.moeller.net/flip-cat/?edition=HPLTEv1&startpage=4.8 |
| Switches for ATEX | http://www.coopercrouse-hinds.eu/en/products/25-ex-safety-and-main-current-switches.html |