



## NH fuse switch-disconnector, 630A, 500V/630A, 690V/500A, size 3

**Part no.** GST3-A0  
**Article no.** 107254

Similar to illustration

### Delivery program

Product range			60 mm system
Subrange			NH fuse switch-disconnectors
Description			Including handguard at top and bottom Mounting without holes
Function			For surface mounting on busbars For fitting on mounting plate
Number of poles			3 pole
Connection			Screw M10. Top
Interval between busbar centres		mm	60
Rated operational current	$I_e$	A	630
<b>Max. fuse</b>			
500 V		A	630
690 V		A	500
Frame size			NH3
For use with			20 x 5/10 25 x 5/10 30 x 5/10
For use with			Double T profile

### Technical data

#### General

Standards			IEC/EN 61131-3
Standards			IEC/EN 60947-3
Climatic proofing			Damp heat, constant, to IEC 60068-2-78 Damp heat, cyclic, to IEC 60068-2-30
Ambient temperature			-25 - +55
Altitude		m	Max. 2000
Interval between busbar centres		mm	60
Mounting position			Vertical or horizontal
Overvoltage category/pollution degree			III/3
Protection type			IP20 (Operating state) IP10 (Front cover open)
Direction of incoming supply			as required
Lifespan, mechanical	Operations		1700
Weight		kg	6.6

#### Contacts

Rated operational voltage	$U_e$	V AC	690
Rated operational voltage	$U_e$	V DC	440
Rated operational current	$I_e$	A	630
Rated frequency	f	Hz	40 - 60
Rated conditional short-circuit current AC	$I_q$	kA <sub>eff</sub>	50
Rated conditional short-circuit current, DC	$I_q$	kA <sub>rms</sub>	25
Utilization category AC22B			
Rated making capacity		A	1500
Rated breaking capacity		A	1500
Utilization category DC21B			
Rated making capacity		A	750
Rated breaking capacity		A	750

Lifespan, electrical	Operations		200
Electrical		Operations	200
Lifespan, mechanical	Operations		1700
Heat dissipation at I <sub>th</sub> AC, without NH-SE		W	32.8
Heat dissipation at I <sub>th</sub> DC, without NH-SE		W	21.8
Rated insulation voltage	U <sub>i</sub>	V AC	750
Rated impulse withstand voltage	U <sub>imp</sub>	kV	8
Rated insulation voltage	U <sub>i</sub>	V	750

### Max. fuse

Frame size			NH3
Max. rated current, gL/gG		A	630
Max. admissible heat dissipation NH-SE	P <sub>v</sub>	W	48

### Terminal capacity

Flange connection			
Main cable	d	mm	M10
Cable lug		mm <sup>2</sup>	1 x 25 - 100
Flat busbar	max.	mm	40 x 10
Tightening torque		Nm	30 - 35
Box terminal			
Stranded copper		mm <sup>2</sup>	25 ... 300
Copper braid	Lamellenzahl x Breite x Dicke	mm	11 x 21 x 1
Tightening torque		Nm	23
Clamp-type terminal			
Stranded aluminium/copper		mm <sup>2</sup>	120 ... 300
Tightening torque		Nm	11
Double clamp-type terminal			
Stranded aluminium/copper		mm <sup>2</sup>	2 x (120 ... 240)
Tightening torque		Nm	11

### Design verification as per IEC/EN 61439

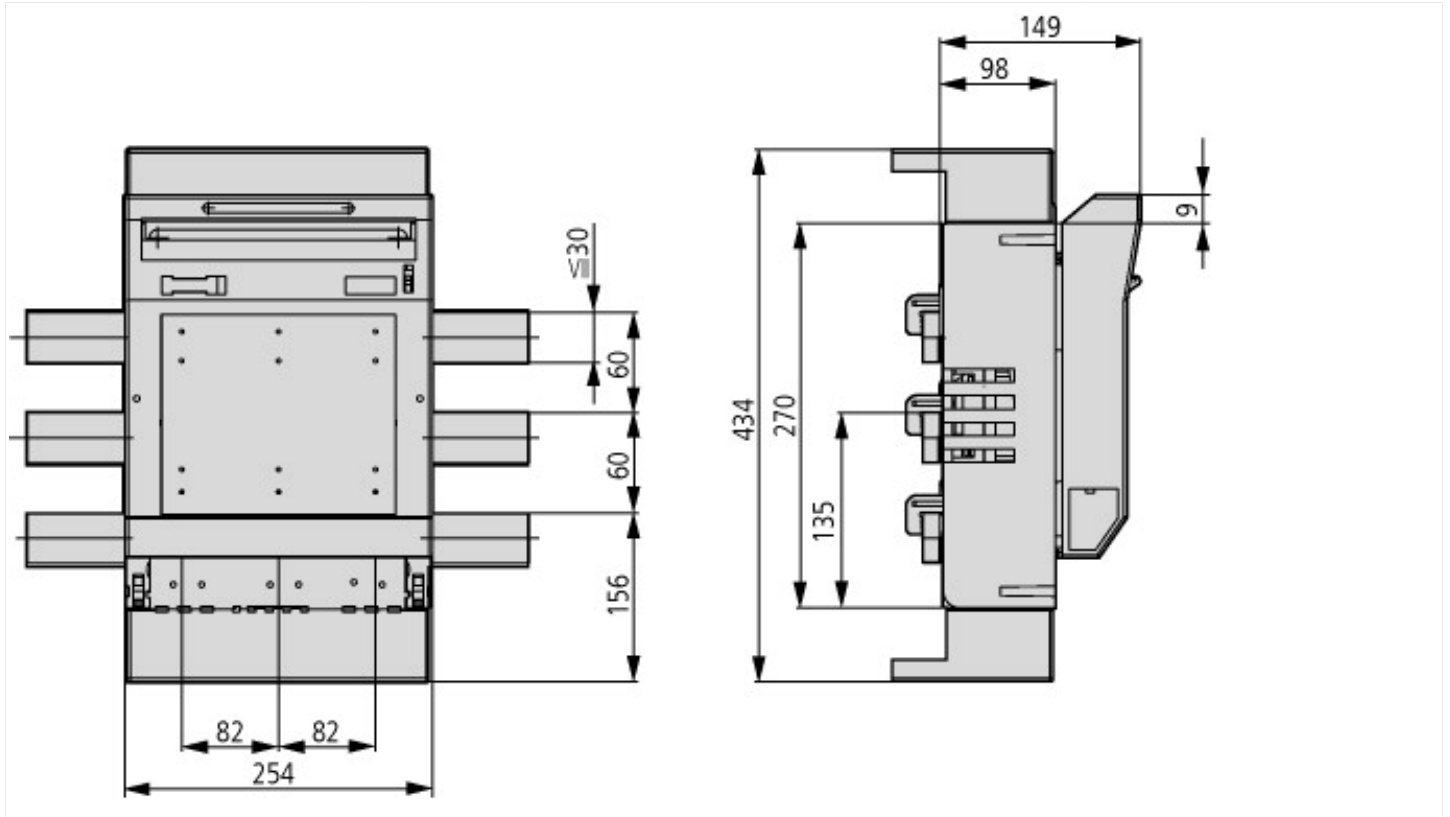
Technical data for design verification			
Operating ambient temperature min.		°C	-25
Operating ambient temperature max.		°C	55

### Technical data ETIM 6.0

Low-voltage industrial components (EG000017) / Fuse switch disconnecter (EC001040)			
Electric engineering, automation, process control engineering / Low-voltage switch technology / Off-load switch, circuit breaker, control switch / Fuse switch disconnecter (ecl@ss8.1-27-37-14-01 [AKF058010])			
Version as main switch			No
Version as safety switch			No
Max. rated operation voltage U <sub>e</sub> AC		V	690
Rated permanent current I <sub>u</sub>		A	630
Rated operation power at AC-23, 400 V		kW	252
Conditioned rated short-circuit current I <sub>q</sub>		kA	50
Rated short-time withstand current I <sub>cw</sub>		kA	50
Suitable for fuses			NH3
Number of poles			3
With error protection			No
Type of electrical connection of main circuit			Screw connection
Suitable for ground mounting			No
Suitable for front mounting 4-hole			No
Suitable for busbar mounting			Yes
Type of control element			Rocker lever

Position control element		Front side
Motor drive optional		No
Motor drive integrated		No
Version as emergency stop installation		No
Degree of protection (IP), front side		IP20

## Dimensions



## Additional product information (links)

**AWA4640-0589 Fuse switch-disconnector**

AWA4640-0589 Fuse switch-disconnector

[ftp://ftp.moeller.net/DOCUMENTATION/AWA\\_INSTRUCTIONS/05890696.pdf](ftp://ftp.moeller.net/DOCUMENTATION/AWA_INSTRUCTIONS/05890696.pdf)