



## Residual current circuit-breaker, 40A, 2p, 1A, AC-Char

**Part no.** FI-40/2/01  
**Article no.** 279181  
**Catalog No.** FI-40-2-01

Similar to illustration

### Delivery program

Basic function			Residual current circuit breakers
Number of poles			2 pole
Rated current	$I_n$	A	40
Rated short-circuit strength	$I_{cn}$	kA	10
Rated fault current	$I_{\Delta N}$	A	0.1
Type			Type AC
Tripping		A	non-delayed
Product range			FI
Sensitivity			AC current sensitive
Impulse withstand current			Partly surge-proof 250 A

### Technical data

#### Electrical

Standards			IEC/EN 61008
Rated operational voltage	$U_e$	V	
	$U_e$	V AC	230/400

#### Mechanical

Standard front dimension		mm	45
Enclosure height		mm	80
Terminal protection			Protection against electric shock to IEC 536
Mounting			Top-hat rail IEC/EN 60715
Terminals top and bottom			Twin-purpose terminals
Thickness of busbar material		mm	0.8 ... 2

### Design verification as per IEC/EN 61439

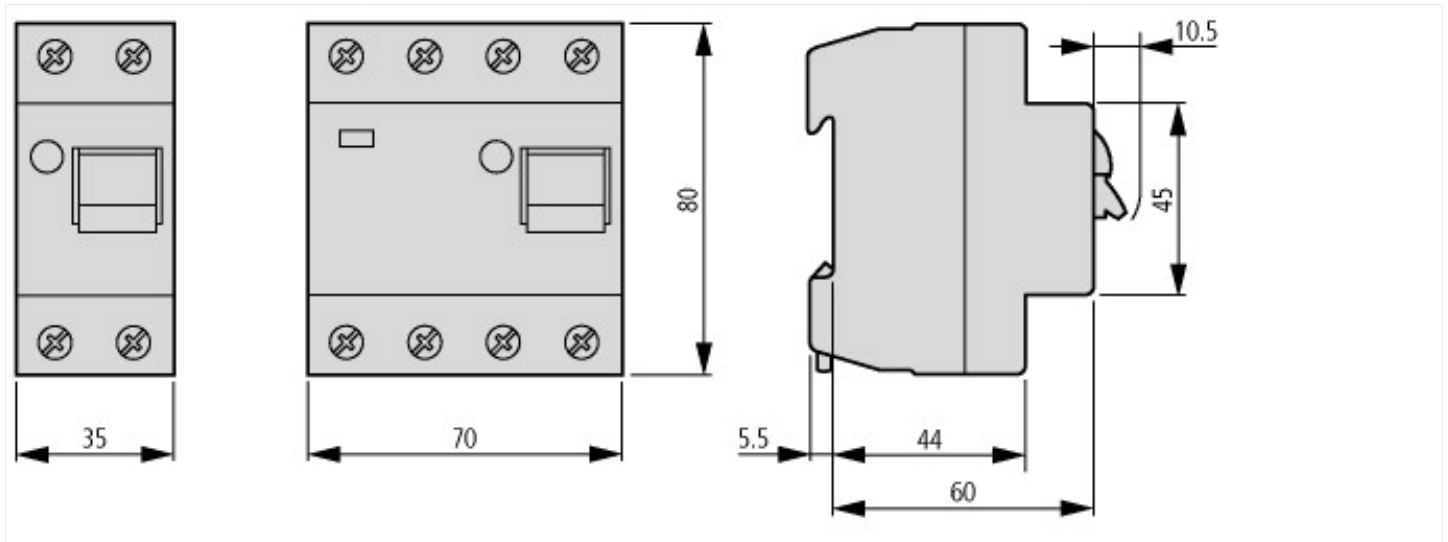
Technical data for design verification			
Rated operational current for specified heat dissipation	$I_n$	A	40
Heat dissipation per pole, current-dependent	$P_{vid}$	W	0
Equipment heat dissipation, current-dependent	$P_{vid}$	W	5.4
Static heat dissipation, non-current-dependent	$P_{vs}$	W	0
Heat dissipation capacity	$P_{diss}$	W	0
Operating ambient temperature min.		°C	-25
Operating ambient temperature max.		°C	55
			Starting at 40 °C, the max. permissible continuous current decreases by 3% for every 1 °C

### Technical data ETIM 6.0

Circuit breakers and fuses (EG000020) / Residual current circuit breaker (RCCB) (EC000003)			
Electric engineering, automation, process control engineering / Electrical installation, device / Residual current protection system / Residual current circuit breaker (RCCB) (ec1@ss8.1-27-14-22-01 [AAB906011])			
Number of poles			2
Nominal rated voltage		V	230
Nominal rated current		A	40
Rated fault current		A	0.1

Mounting method		DIN rail
Leakage current type		AC
Selective protection		No
Short-circuit breaking capacity (Icw)	kA	10
Surge current capacity	kA	0.25
Frequency		50 Hz
Additional equipment possible		Yes
Degree of protection (IP)		IP20
Construction size (in accordance with DIN 43880)		1
Width in number of modular spacings		2
Built-in depth	mm	69.5
Short-time delayed tripping		No

## Dimensions



## Additional product information (links)

### AWA1290-1756 Residual-current-circuit-breaker

AWA1290-1756 Residual-current-circuit-breaker

[ftp://ftp.moeller.net/DOCUMENTATION/AWA\\_INSTRUCTIONS/17560403.pdf](ftp://ftp.moeller.net/DOCUMENTATION/AWA_INSTRUCTIONS/17560403.pdf)