



Proximity switch, inductive, 1 N/C,  $S_n=2\text{mm}$ , 3L, 6-48VDC, PNP, M12, metal, line 2m

**Part no.** E57SBL12T111  
**Article no.** 136148  
**Catalog No.** E57SBL12T111

## Delivery program

|                           |       |    |                           |
|---------------------------|-------|----|---------------------------|
| Basic function            |       |    | Inductive Sensors         |
| Product range             |       |    | E57 Premium+ Short-Series |
| Connection                |       |    | 3-wire                    |
| Design (outer dimensions) |       | mm | M12 x 1                   |
| Rated operational voltage | $U_e$ |    | 6 - 48 V DC               |
| Rated switching distance  | $S_n$ | mm | 2                         |
| Type of mounting          |       |    | Flush                     |
| Switching type            |       |    | PNP                       |
| For connection of:        |       |    | 2 m connection cable      |
| <b>Contacts</b>           |       |    |                           |
| N/C = Normally closed     |       |    | 1 NC                      |
| Material                  |       |    | Stainless steel           |
| Degree of Protection      |       |    | IP67                      |

## Technical data

### General

|                             |  |   |                            |
|-----------------------------|--|---|----------------------------|
| Standards                   |  |   | IEC/EN 60947-5-2           |
| Ambient temperature         |  |   | -25 - +70                  |
| Mechanical shock resistance |  | g | 30<br>Shock duration 11 ms |
| Degree of Protection        |  |   | IP67                       |

### Characteristics

|  |       |     |  |
|--|-------|-----|--|
| Rated switching distance   |       |     |  |
| Rated switching distance   | $S_n$ | mm  | 2  |
| Repetition accuracy of $S_n$   |       | %   | 1  |
| Temperature drift of $S_n$   |       | %   | 10                                       |
| Switching hysteresis of $S_n$  |       | %   | 15                                       |
| Rated operational voltage  | $U_e$ |     | 6 - 48 V DC                              |
| Maximum load current   | $I_e$ | mA  | < 500 (6 - 32 V DC) / 250 (32 - 48 V DC) |
| Voltage drop at $I_e$  | $U_d$ | V   | 12                                       |
| Switching Frequency  |       | Hz  | 800                                      |
| Min. load current  | $I_e$ | mA  | 5  |
| Residual current through the load in the blocked state at 230 V AC and 24 V DC | $I_r$ | mA  | 2  |
| Switching state display  |       | LED | Red                                      |
| Connection   |       |     | 3-wire                                   |
| Contacts   |       |     |  |
| N/C = Normally closed  |       |     | 1 NC                                     |
| Style  |       |     |  |
| Design (outer dimensions)  |       | mm  | M12 x 1                                  |
| For connection of:   |       |     | 2 m connection cable                     |
| Material   |       |     | Stainless steel                          |

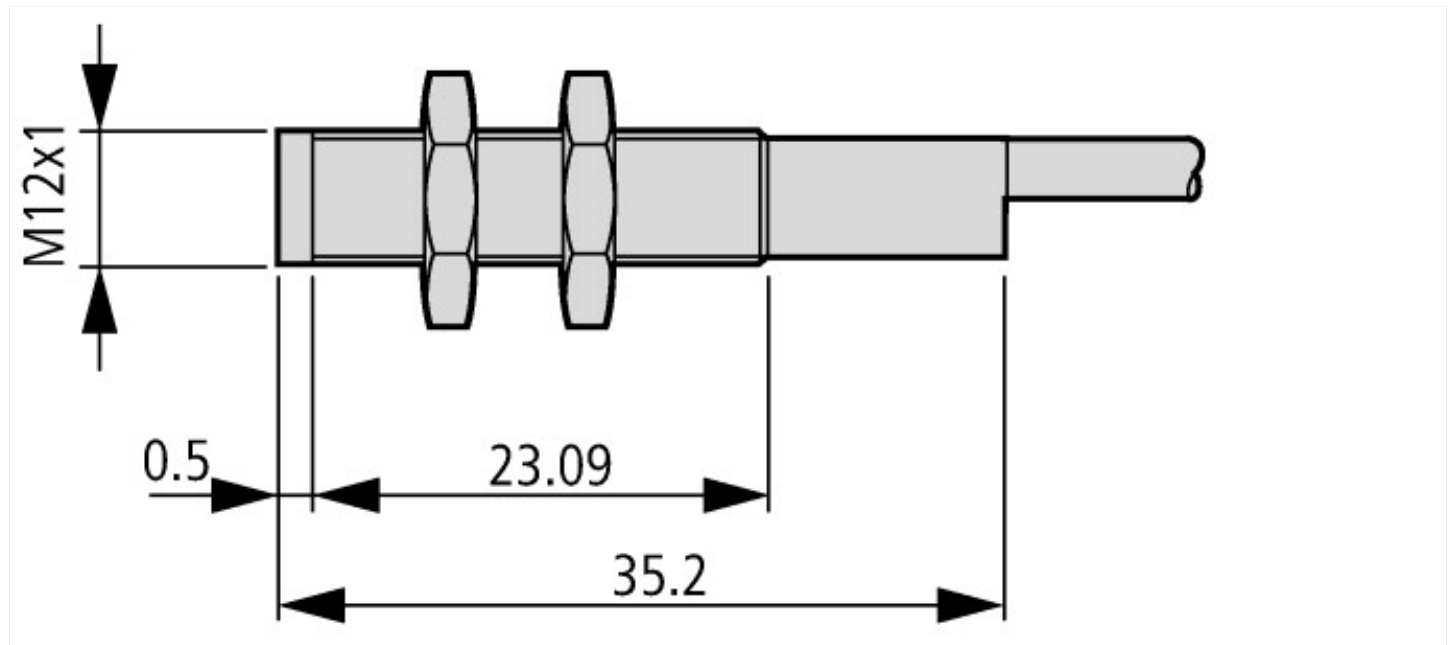
## Design verification as per IEC/EN 61439

|  |  |    |     |
|--|--|----|-----|
| Technical data for design verification |  |    |     |
| Operating ambient temperature min.     |  | °C | -25 |
| Operating ambient temperature max.     |  | °C | 70  |

## Approvals

|                             |  |  |
|-----------------------------|--|--|
| Product Standards           |  | UL 508; CSA-C22.2 No. 14; IEC60947-5-2; CE marking |
| UL File No.                 |  | E166051  |
| UL Category Control No.     |  | NRKH, NRKH7  |
| CSA File No.                |  | 50513  |
| CSA Class No.               |  | 3211-03  |
| North America Certification |  | UL listed, CSA certified                           |
| Max. Voltage Rating         |  | 250 V AC, 250 V DC                                 |
| Degree of Protection        |  | IEC: IP67; UL/CSA Type: 4, 4x, 6, 6P, 12, 13       |

## Dimensions



## Additional product information (links)

### IL05301003Z Premium Plus Series Inductive Sensors +Short, +Miniature

IL05301003Z Premium Plus Series Inductive Sensors +Short, +Miniature [ftp://ftp.moeller.net/DOCUMENTATION/AWA\\_INSTRUCTIONS/IL05301003Z2016\\_07.pdf](ftp://ftp.moeller.net/DOCUMENTATION/AWA_INSTRUCTIONS/IL05301003Z2016_07.pdf)