



Proximity switch, inductive, 1N/O,  $S_n=25\text{mm}$ , 2L, 10-30VDC, M30, metal, line 2m



Powering Business Worldwide™

Part no. E57-30GE25-D  
 Article no. 135961  
 Catalog No. E57-30GE25-D

## Delivery program

Basic function			Inductive Sensors
Product range			E57 Global Series
Connection			2-wire
Design (outer dimensions)		mm	M30 x 1.5
Rated operational voltage	$U_e$		10 - 30 V DC
Rated switching distance	$S_n$	mm	25
Type of mounting			Non-flush
For connection of:			2 m connection cable
<b>Contacts</b>			
N/O = Normally open			1 N/O
Material			Metal
Degree of Protection			IP67, IP69K

## Technical data

### General

Standards			IEC/EN 60947-5-2
Ambient temperature			0 - +60
Mechanical shock resistance		g	30 Shock duration 11 ms
Degree of Protection			IP67, IP69K

### Characteristics

Rated switching distance			
Rated switching distance	$S_n$	mm	25
Repetition accuracy of $S_n$		%	2
Temperature drift of $S_n$		%	10
Switching hysteresis of $S_n$		%	15
Rated operational voltage	$U_e$		10 - 30 V DC
Residual ripple of $U_e$		%	10
Maximum load current	$I_e$	mA	< 100
Operating current in the switched state at 24 V DC	$I_b$	mA	10
Voltage drop at $I_e$	$U_d$	V	6
Switching Frequency		Hz	200
Min. load current	$I_e$	mA	3
Residual current through the load in the blocked state at 230 V AC and 24 V DC	$I_r$	mA	0.8
Switching state display		LED	Red
Connection			2-wire
Contacts			
N/O = Normally open			1 N/O
Style			
Design (outer dimensions)		mm	M30 x 1.5
For connection of:			2 m connection cable
Material			Metal

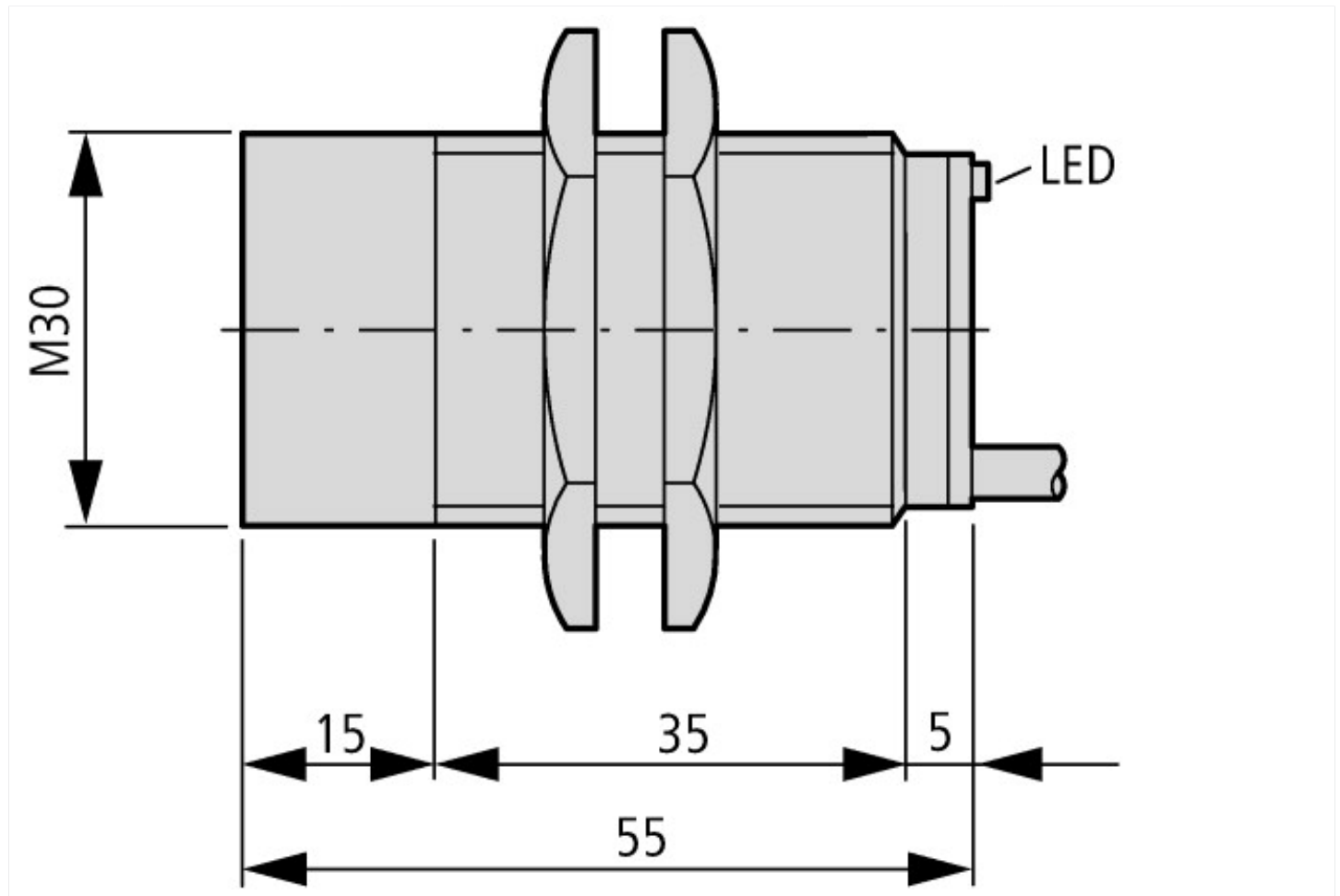
## Design verification as per IEC/EN 61439

Technical data for design verification			
Operating ambient temperature min.		°C	0
Operating ambient temperature max.		°C	60

## Approvals

Product Standards		UL 508; CSA-C22.2 No. 14; IEC60947-5-2; CE marking
UL File No.		CSA report applies to both Canada and US
UL Category Control No.		-
CSA File No.		224447
CSA Class No.		4652-04 / 4652-84
North America Certification		CSA certified, certified by CSA for use in the US
Max. Voltage Rating		30 V DC
Degree of Protection		IEC: IP67, IP69K; UL/CSA Type: -

## Dimensions



## Additional product information (links)

### IL05301002Z Global Series Inductive Sensors

IL05301002Z Global Series Inductive Sensors [ftp://ftp.moeller.net/DOCUMENTATION/AWA\\_INSTRUCTIONS/IL05301002Z2016\\_07.pdf](ftp://ftp.moeller.net/DOCUMENTATION/AWA_INSTRUCTIONS/IL05301002Z2016_07.pdf)