



Proximity switch, inductive, 1N/O, $S_n=15\text{mm}$, 3L, 10-30VDC, NPN, M30, metal, line 2m

EATON

Powering Business Worldwide™

Part no. E57-30GE15-C
Article no. 135957
Catalog No. E57-30GE15-C

Delivery program

Basic function			Inductive Sensors
Product range			E57 Global Series
Connection			3-wire
Design (outer dimensions)		mm	M30 x 1.5
Rated operational voltage	U_e		10 - 30 V DC
Rated switching distance	S_n	mm	15
Type of mounting			Flush
Switching type			NPN
For connection of:			2 m connection cable
Contacts			
N/O = Normally open			1 N/O
Material			Metal
Degree of Protection			IP67, IP69K

Technical data

General

Standards			IEC/EN 60947-5-2
Ambient temperature			0 - +60
Mechanical shock resistance		g	30 Shock duration 11 ms
Degree of Protection			IP67, IP69K

Characteristics

Rated switching distance			
Rated switching distance	S_n	mm	15
Repetition accuracy of S_n		%	1
Temperature drift of S_n		%	10
Switching hysteresis of S_n		%	15
Rated operational voltage	U_e		10 - 30 V DC
Residual ripple of U_e		%	10
Maximum load current	I_e	mA	< 100
Operating current in the switched state at 24 V DC	I_b	mA	10
Voltage drop at I_e	U_d	V	1.5
Switching Frequency		Hz	500
Residual current through the load in the blocked state at 230 V AC and 24 V DC	I_r	mA	0.01
Switching state display		LED	Red
Protective functions			Short-circuit protective device Protection against polarity reversal Protection against wire breakage
Connection			3-wire
Contacts			
N/O = Normally open			1 N/O
Style			
Design (outer dimensions)		mm	M30 x 1.5
For connection of:			2 m connection cable
Material			Metal

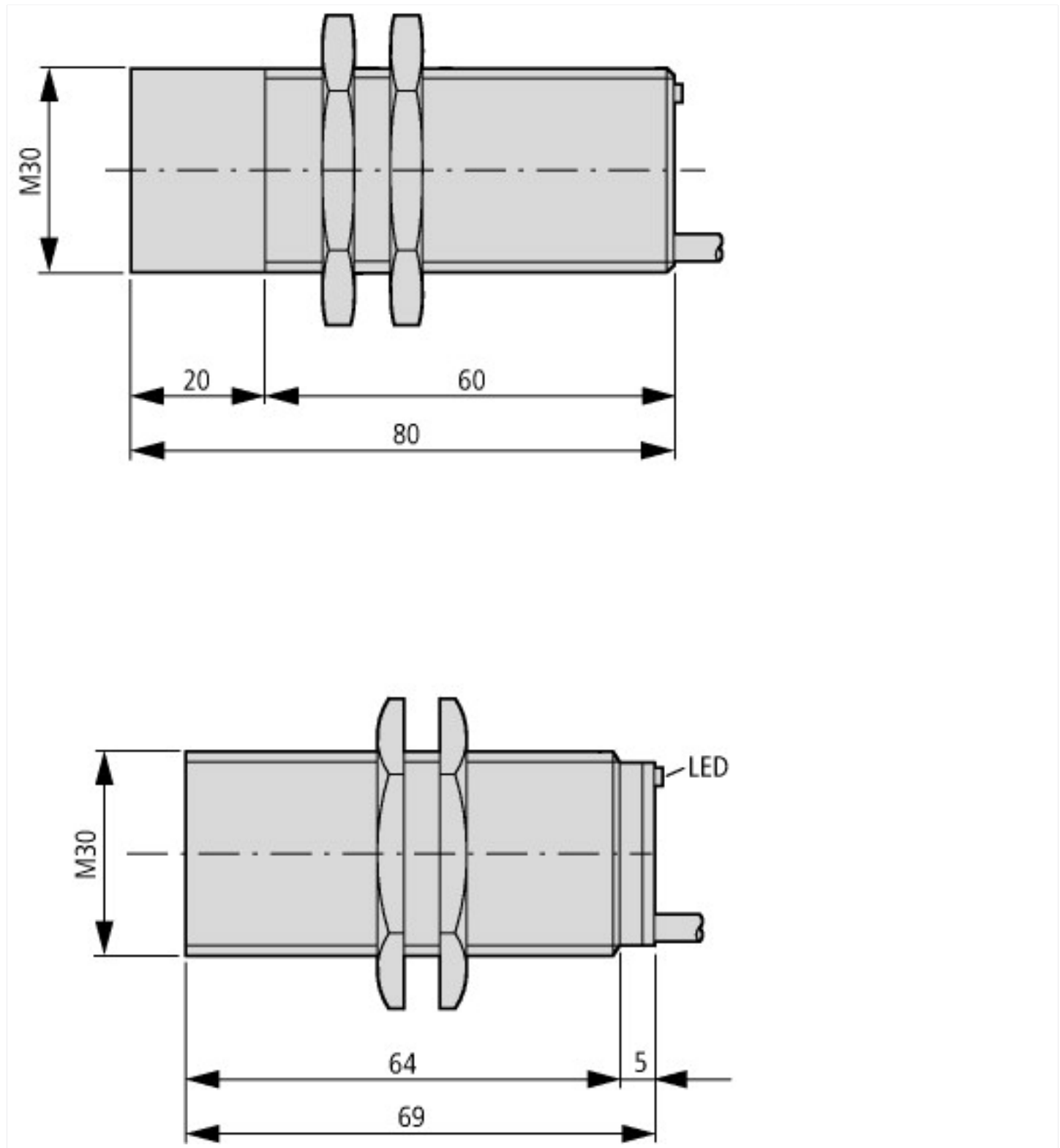
Design verification as per IEC/EN 61439

Technical data for design verification			
Operating ambient temperature min.		°C	0

Approvals

Product Standards	UL 508; CSA-C22.2 No. 14; IEC60947-5-2; CE marking
UL File No.	CSA report applies to both Canada and US
UL Category Control No.	-
CSA File No.	224447
CSA Class No.	4652-04 / 4652-84
North America Certification	CSA certified, certified by CSA for use in the US
Max. Voltage Rating	30 V DC
Degree of Protection	IEC: IP67, IP69K; UL/CSA Type: -

Dimensions



Additional product information (links)

IL05301002Z Global Series Inductive Sensors

IL05301002Z Global Series Inductive Sensors ftp://ftp.moeller.net/DOCUMENTATION/AWA_INSTRUCTIONS/IL05301002Z2016_07.pdf