



Proximity switch, inductive, 1N/O+1N/C, $S_n=40\text{mm}$, 4L, 6-48VDC, NPN, PNP, cubic 80mm, M12

Part no. E56ADL40UAD01
Article no. 136235
Catalog No. E56ADL40UAD01

Delivery program

Basic function			Inductive Sensors
Product range			E56 Pancake Series
Connection			4-wire
Design (outer dimensions)		mm	79 x 79 x 39
Rated operational voltage	U_e		10 – 42 V DC
Rated switching distance	S_n	mm	40
Type of mounting			Non-flush
Switching type			NPN PNP
For connection of:			Plug-in connection M12 x 1
Contacts			
N/C = Normally closed			1 NC
N/O = Normally open			1 N/O
Material			Insulated material
Degree of Protection			IP67

Technical data

General

Standards			IEC/EN 60947-5-2
Ambient temperature			-25 - +70
Degree of Protection			IP67

Characteristics

Rated switching distance			
Rated switching distance	S_n	mm	40
Repetition accuracy of S_n		%	2
Temperature drift of S_n		%	10
Switching hysteresis of S_n		%	15
Rated operational voltage	U_e		10 – 42 V DC
Maximum load current	I_e	mA	< 300
Operating current in the switched state at 24 V DC	I_b	mA	25
Voltage drop at I_e	U_d	V	2.5
Switching Frequency		Hz	100
Min. load current	I_e	mA	1
Residual current through the load in the blocked state at 230 V AC and 24 V DC	I_r	mA	0.15
Switching state display		LED	Red
Operating voltage display		LED	Green
Protective functions			Short-circuit protective device Protection against polarity reversal
Connection			4-wire
Contacts			
N/C = Normally closed			1 NC
N/O = Normally open			1 N/O
Style			
Design (outer dimensions)		mm	79 x 79 x 39
For connection of:			Plug-in connection M12 x 1
Material			Insulated material
Surface finish			PPS

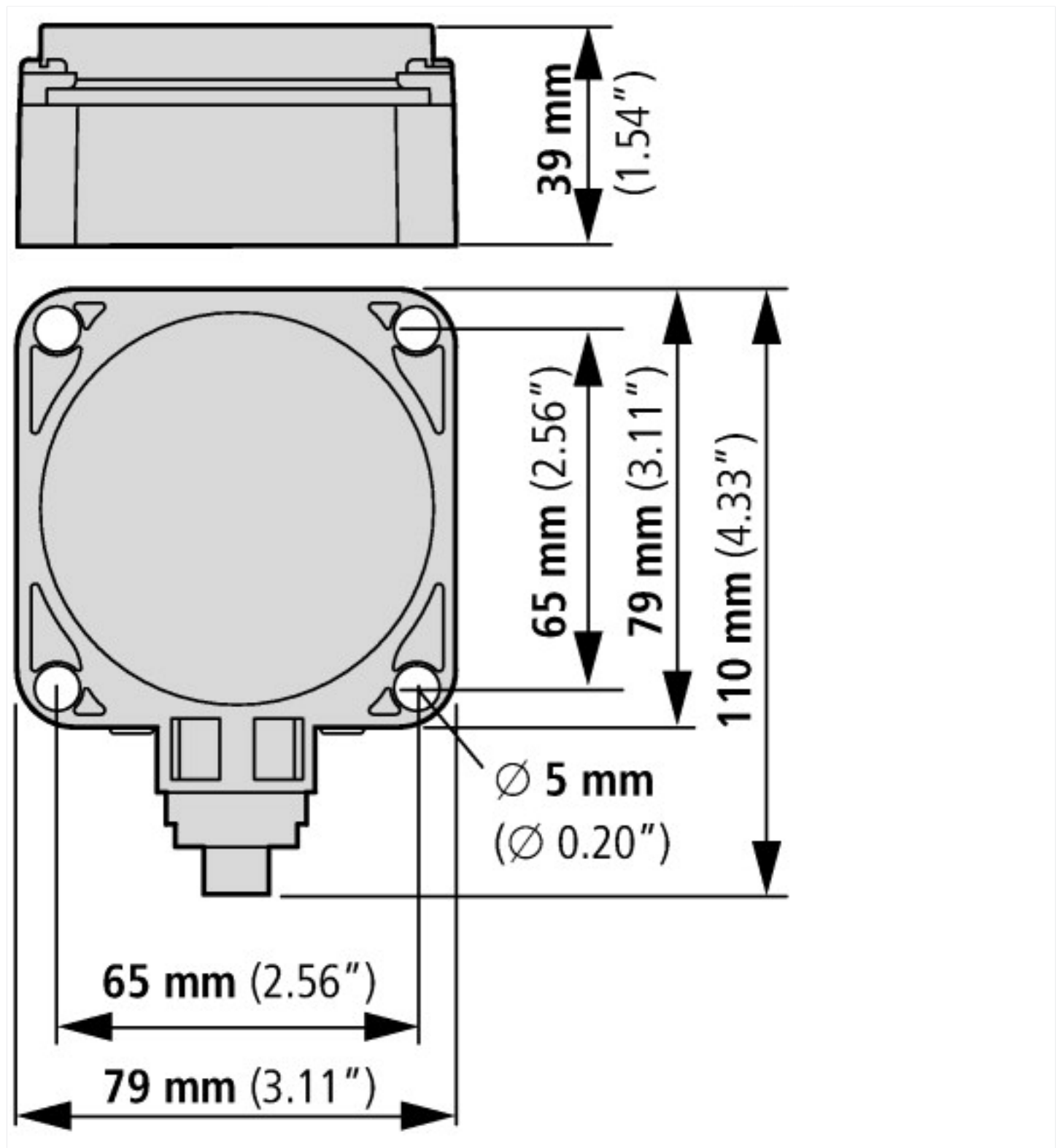
Design verification as per IEC/EN 61439

Technical data for design verification			
Operating ambient temperature min.		°C	-25
Operating ambient temperature max.		°C	70

Approvals

Product Standards			UL 508; CSA-C22.2 No. 14; IEC60947-5-2; CE marking
UL File No.			E166051
UL Category Control No.			NRKH, NRKH7
CSA File No.			UL report applies to both Canada and US
CSA Class No.			–
North America Certification			UL listed, certified by UL for use in Canada
Max. Voltage Rating			48 V DC
Degree of Protection			IEC: IP67, IP69K; UL/CSA Type: 4, 4x, 6, 6F, 12, 13

Dimensions



Additional product information (links)

IL05301008Z E56 Series Pancake-Style Inductive Sensors

IL05301008Z E56 Series Pancake-Style Inductive Sensors

ftp://ftp.moeller.net/DOCUMENTATION/AWA_INSTRUCTIONS/IL05301008Z2016_07.pdf