



Proximity switch, inductive, 1N/O,  $S_n=15\text{mm}$ , 3L, 10-30VDC, NPN, M30, insulated material, line 2m

**Part no.** E55CAL30T110E  
**Article no.** 135831  
**Catalog No.** E55CAL30T110E

## Delivery program

|                           |       |    |                               |
|---------------------------|-------|----|-------------------------------|
| Basic function            |       |    | Inductive Sensors             |
| Product range             |       |    | E55 Limit Switch Style Series |
| Connection                |       |    | 3-wire                        |
| Design (outer dimensions) |       | mm | M30 x 1.5                     |
| Rated operational voltage | $U_e$ |    | 10 - 30 V DC                  |
| Rated switching distance  | $S_n$ | mm | 15                            |
| Type of mounting          |       |    | Non-flush                     |
| Switching type            |       |    | NPN                           |
| For connection of:        |       |    | 2 m connection cable          |
| <b>Contacts</b>           |       |    |                               |
| N/O = Normally open       |       |    | 1 N/O                         |
| Material                  |       |    | Insulated material            |
| Degree of Protection      |       |    | IP66                          |

## Technical data

### General

|                             |  |   |                            |
|-----------------------------|--|---|----------------------------|
| Standards                   |  |   | IEC/EN 60947-5-2           |
| Ambient temperature         |  |   | -25 - +70                  |
| Mechanical shock resistance |  | g | 30<br>Shock duration 11 ms |
| Degree of Protection        |  |   | IP66                       |

### Characteristics

|                               |       |     |   |
|-------------------------------|-------|-----|---|
| Rated switching distance      |       |     |   |
| Rated switching distance      | $S_n$ | mm  | 15  |
| Repetition accuracy of $S_n$  |       | %   | 10  |
| Temperature drift of $S_n$    |       | %   | 10  |
| Switching hysteresis of $S_n$ |       | %   | 20  |
| Rated operational voltage     | $U_e$ |     | 10 - 30 V DC  |
| Supply frequency              |       |     | 50 - 60   |
| Residual ripple of $U_e$      |       | %   | 10  |
| Maximum load current          | $I_e$ | mA  | < 200   |
| Voltage drop at $I_e$         | $U_d$ | V   | 8   |
| Switching Frequency           |       | Hz  | 150   |
| Switching state display       |       | LED | Red   |
| Protective functions          |       |     | Short-circuit protective device<br>Protection against polarity reversal |
| Connection                    |       |     | 3-wire  |
| Contacts                      |       |     |   |
| N/O = Normally open           |       |     | 1 N/O   |
| Style                         |       |     |   |
| Design (outer dimensions)     |       | mm  | M30 x 1.5   |
| For connection of:            |       |     | 2 m connection cable  |
| Material                      |       |     | Insulated material  |

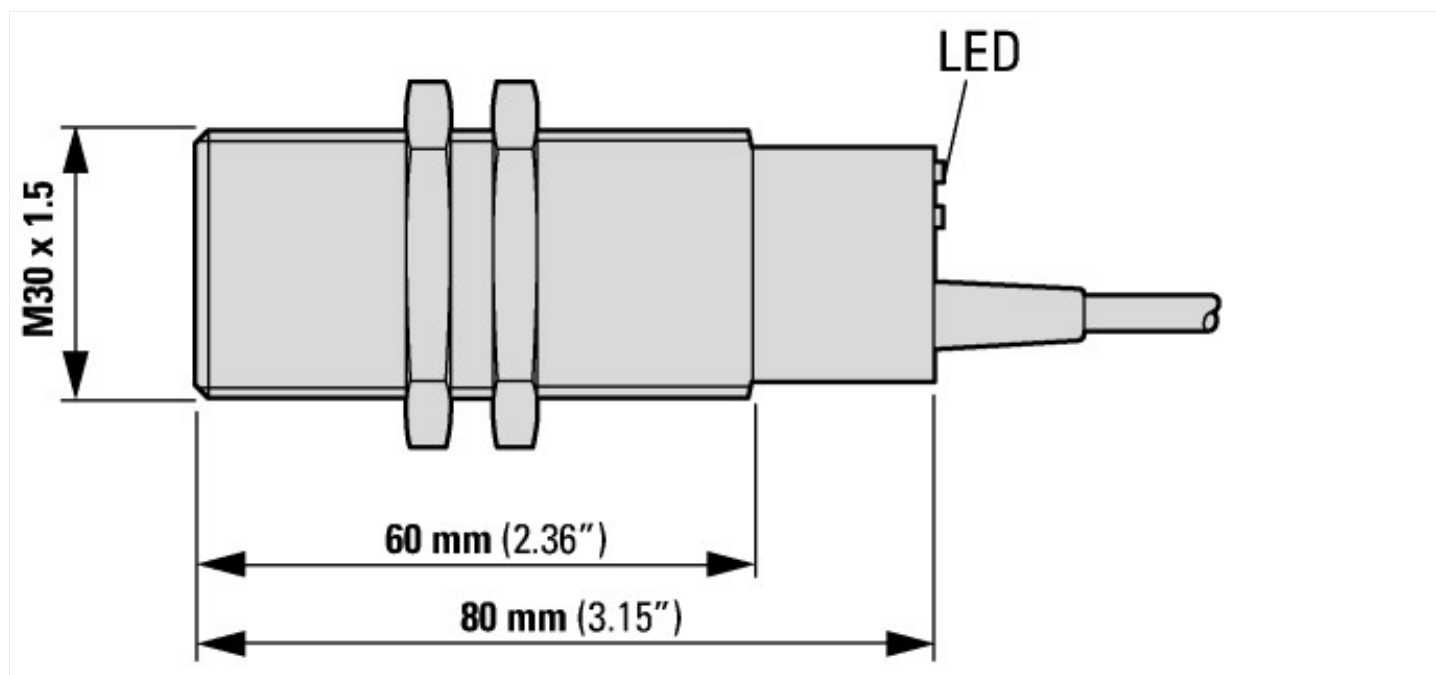
## Design verification as per IEC/EN 61439

|  |  |    |     |
|--|--|----|-----|
| Technical data for design verification |  |    |     |
| Operating ambient temperature min.     |  | °C | -25 |
| Operating ambient temperature max.     |  | °C | 70  |

## Approvals

|                      |  |                                   |
|----------------------|--|-----------------------------------|
| Product Standards    |  | CE marking                        |
| Max. Voltage Rating  |  | 30 V DC                           |
| Degree of Protection |  | IEC: IP66; UL/CSA: NEMA 4, 4X, 13 |

## Dimensions



## Additional product information (links)

IL05301005Z E55 Series Barrel-Style Inductive Sensors

IL05301005Z E55 Series Barrel-Style Inductive Sensors [ftp://ftp.moeller.net/DOCUMENTATION/AWA\\_INSTRUCTIONS/IL05301005Z2016\\_07.pdf](ftp://ftp.moeller.net/DOCUMENTATION/AWA_INSTRUCTIONS/IL05301005Z2016_07.pdf)