



Proximity switch, capacitive, $S_n=35\text{mm}$, 1 N/C, 3L, PNP, M34, insulated material, line 2m

Part no. E53KBL34T111E
Article no. 134822
Catalog No. E53KBL34T111E

Delivery program

Basic function			Capacitive sensors
Product range			E53 Capacitive Series
Connection			3-wire
Design (outer dimensions)		mm	34
Rated operational voltage	U_e		10 - 30 V DC
Rated switching distance	S_n	mm	35
Type of mounting			Non-flush
Switching type			PNP
For connection of:			2 m connection cable
Contacts			
N/C = Normally closed			1 NC
Material			Insulated material
Degree of Protection			IP65

Technical data

General

Standards			IEC/EN 60947-5-2-EMC
Ambient temperature			-25 - +70
Mechanical shock resistance		g	30 Shock duration 11 ms
Degree of Protection			IP65

Characteristics

Rated switching distance			
Rated switching distance	S_n	mm	35
Repetition accuracy of S_n		%	10
Temperature drift of S_n		%	10
Switching hysteresis of S_n		%	20
Rated operational voltage	U_e		10 - 30 V DC
Residual ripple of U_e		%	10
Maximum load current	I_e	mA	< 300
Switching Frequency		Hz	250
Switching state display		LED	Red
Connection			3-wire
Contacts			
N/C = Normally closed			1 NC
Style			
Design (outer dimensions)		mm	34
For connection of:			2 m connection cable
Material			Insulated material

Design verification as per IEC/EN 61439

Technical data for design verification			
Operating ambient temperature min.		°C	-25
Operating ambient temperature max.		°C	70

Technical data ETIM 6.0

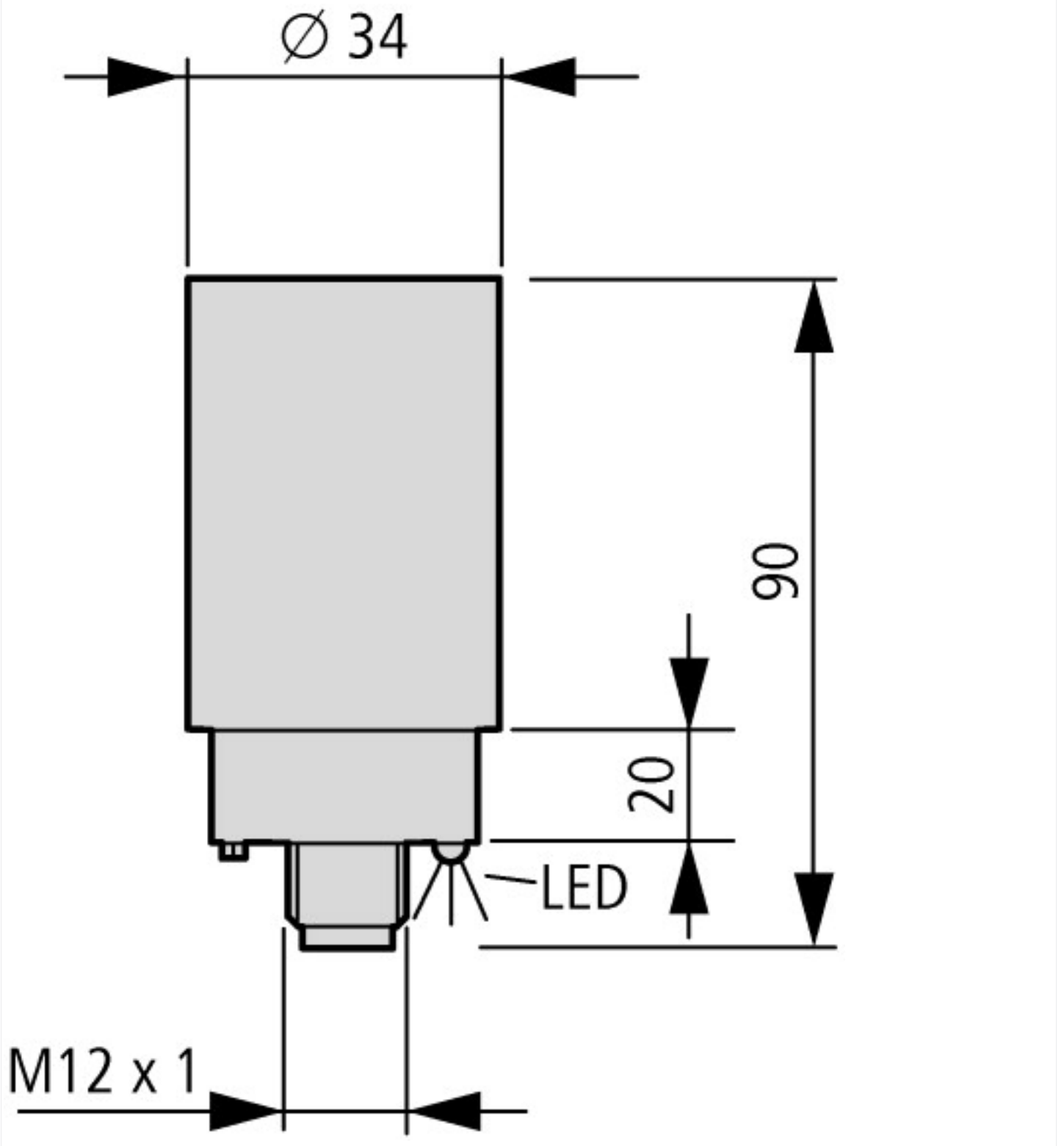
Sensors (EG000026) / Capacitive proximity switch (EC002715)

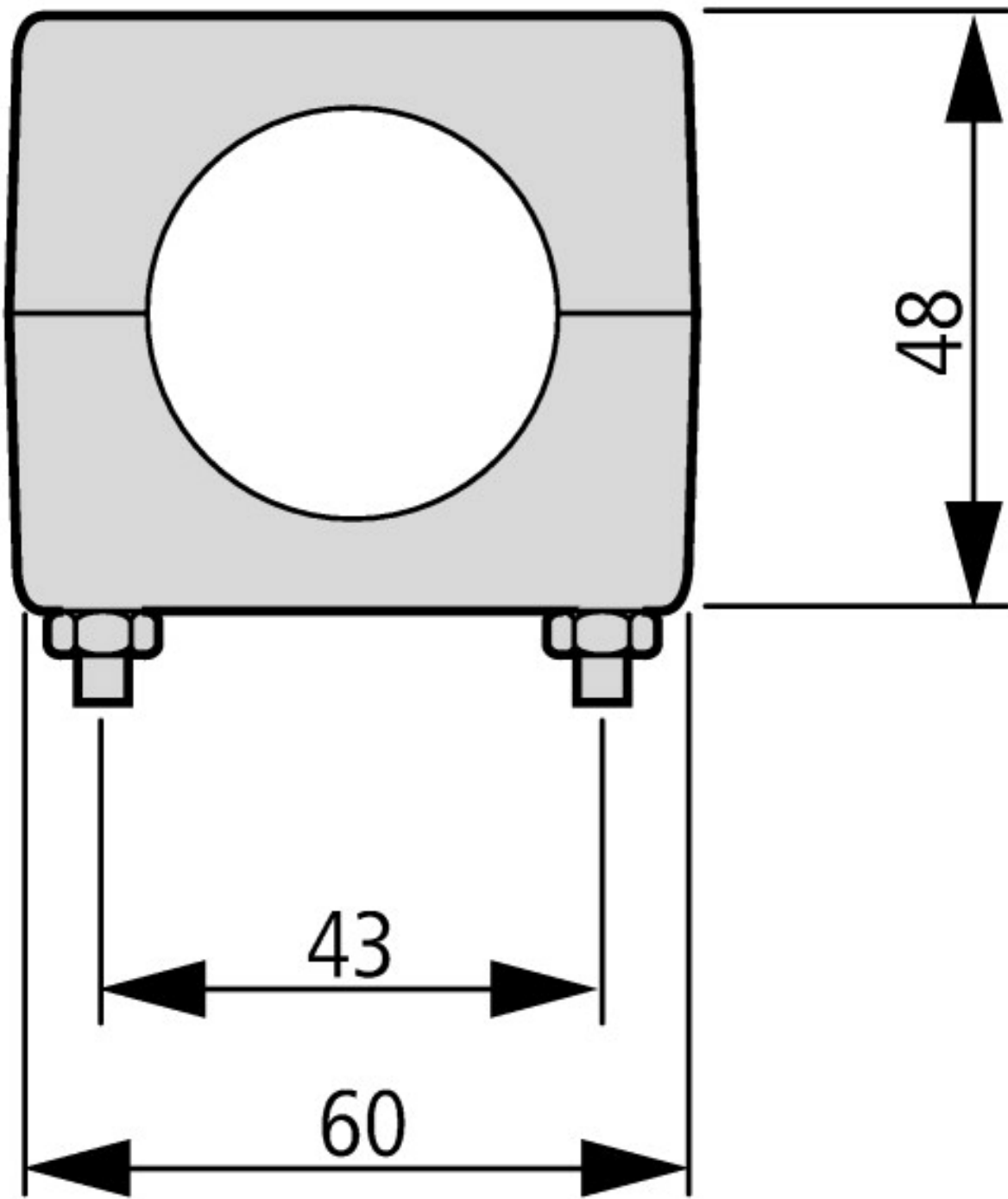
Width sensor	mm	0
Height of sensor	mm	0
Length of sensor	mm	80
Diameter sensor	mm	34
Mechanical mounting condition for sensor		Not flat
Switching distance	mm	35
Suitable for safety functions		No
Type of switch function		Breaker contact
Type of switching output		PNP
Type of electric connection		Cable
Number of semiconductor outputs with signalling function		1
Number of contact energized outputs with signalling function		0
Number of protected semiconductor outputs		0
Number of protected contact energized outputs		0
Type of actuation		-
Type of interface		None
Type of interface for safety communication		None
Construction type housing		Cylinder plain
Coating housing		-
Cascadable		No
Category according to EN 954-1		B
SIL according to IEC 61508		None
Performance level acc. to EN ISO 13849-1		None
Max. output current at protected output	mA	0
Supply voltage	V	10 - 30
Rated control supply voltage Us at AC 50HZ	V	0 - 0
Rated control supply voltage Us at AC 60HZ	V	0 - 0
Rated control supply voltage Us at DC	V	10 - 30
Voltage type		DC
Switching frequency	Hz	250
With monitoring function downstream switching devices		No
Material housing		Plastic
Compression-resistant		No
Explosion safety category for gas		None
Explosion safety category for dust		None

Approvals

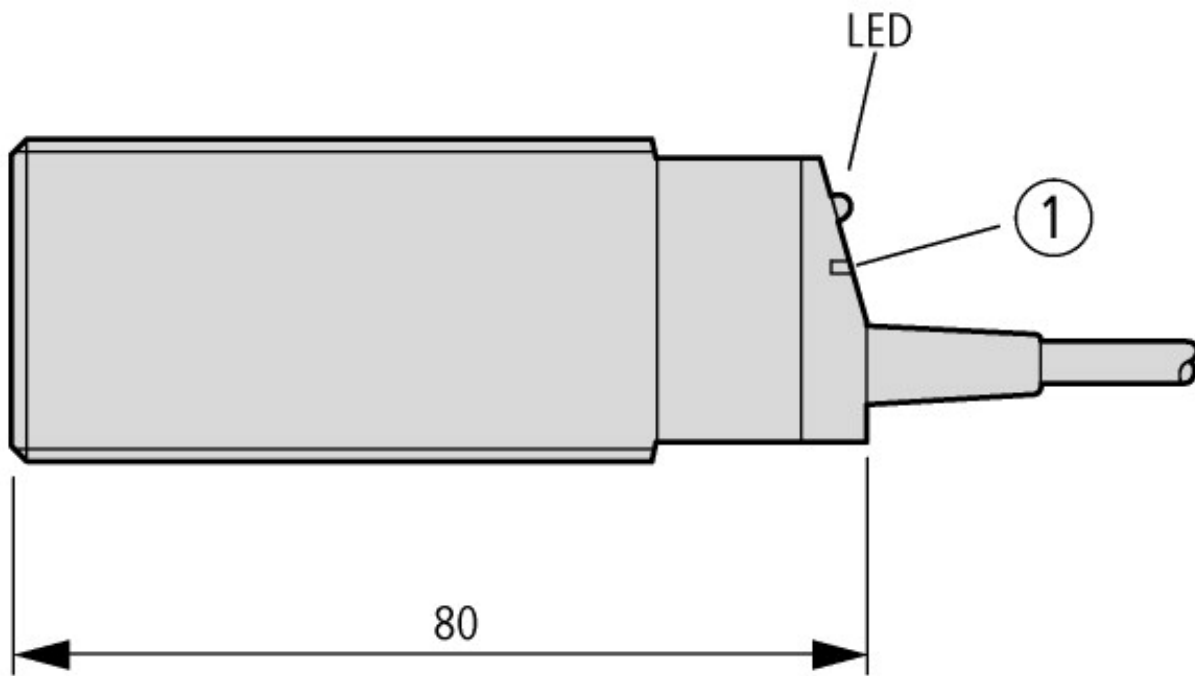
Product Standards		CE marking
Max. Voltage Rating		250 V AC, 30 V DC
Degree of Protection		IEC: IP65; UL/CSA: NEMA 4, 12, 13

Dimensions





Fixing bracket included as standard



① Sensitivity setting

Additional product information (links)

[IL05307002Z.pdf E53 Series Capacitive Sensors](#)

[IL05307002Z.pdf E53 Series Capacitive Sensors ftp://ftp.moeller.net/DOCUMENTATION/AWA_INSTRUCTIONS/IL05307002Z2016_07.pdf](ftp://ftp.moeller.net/DOCUMENTATION/AWA_INSTRUCTIONS/IL05307002Z2016_07.pdf)