



Three-phase control/isolation/safety transformer, 20kVA, non-standard voltage

Part no. DTZ20(*/*)*
Article no. 914815
Catalog No. -

Delivery program

Product range		Three-phase DTZ control transformers
Rated input voltage	V	50 – 950 ± 5 %
Rated output voltage	V	18.5 – 1000
Rated power	kVA	20
Short-time rating	kVA	50
Cu factor 45,00		

Notes

- Transformers with the rated output voltages ≈ 50 V can be used as safety transformers to IEC/EN 61558.
- Enclosure IP65 on request.

When ordering, the part no. must include the following details:

DTZ0.1(*/*)*

- Wildcard \approx Nominal input voltage
- 2nd Wildcard \approx Nominal output voltage
- 3rd Wildcard \approx Configuration

Ordering example

- desired part no. DTZ0.1
- Desired rated input voltage 200 V
- Desired rated output voltage 18.5 V
- Desired configuration Dy(n)5

The correct part no. is

DTZ0.1(200/18.5)DY(N)5

Additional tappings → 931897

Design verification as per IEC/EN 61439

Technical data for design verification			
Rated operational current for specified heat dissipation	I_n	A	0
Heat dissipation per pole, current-dependent	P_{vid}	W	0
Equipment heat dissipation, current-dependent	P_{vid}	W	0
Static heat dissipation, non-current-dependent	P_{vs}	W	540
Heat dissipation capacity	P_{diss}	W	0
Operating ambient temperature min.		°C	-25
Operating ambient temperature max.		°C	40
IEC/EN 61439 design verification			
10.2 Strength of materials and parts			
10.2.2 Corrosion resistance			Meets the product standard's requirements.
10.2.3.1 Verification of thermal stability of enclosures			Meets the product standard's requirements.
10.2.3.2 Verification of resistance of insulating materials to normal heat			Meets the product standard's requirements.
10.2.3.3 Verification of resistance of insulating materials to abnormal heat and fire due to internal electric effects			Meets the product standard's requirements.
10.2.4 Resistance to ultra-violet (UV) radiation			Meets the product standard's requirements.
10.2.5 Lifting			Does not apply, since the entire switchgear needs to be evaluated.
10.2.6 Mechanical impact			Does not apply, since the entire switchgear needs to be evaluated.
10.2.7 Inscriptions			Meets the product standard's requirements.
10.3 Degree of protection of ASSEMBLIES			Does not apply, since the entire switchgear needs to be evaluated.
10.4 Clearances and creepage distances			Meets the product standard's requirements.

10.5 Protection against electric shock		Does not apply, since the entire switchgear needs to be evaluated.
10.6 Incorporation of switching devices and components		Does not apply, since the entire switchgear needs to be evaluated.
10.7 Internal electrical circuits and connections		Is the panel builder's responsibility.
10.8 Connections for external conductors		Is the panel builder's responsibility.
10.9 Insulation properties		
10.9.2 Power-frequency electric strength		Is the panel builder's responsibility.
10.9.3 Impulse withstand voltage		Is the panel builder's responsibility.
10.9.4 Testing of enclosures made of insulating material		Is the panel builder's responsibility.
10.10 Temperature rise		The panel builder is responsible for the temperature rise calculation. Eaton will provide heat dissipation data for the devices.
10.11 Short-circuit rating		Is the panel builder's responsibility. The specifications for the switchgear must be observed.
10.12 Electromagnetic compatibility		Is the panel builder's responsibility. The specifications for the switchgear must be observed.
10.13 Mechanical function		The device meets the requirements, provided the information in the instruction leaflet (IL) is observed.

Technical data ETIM 6.0

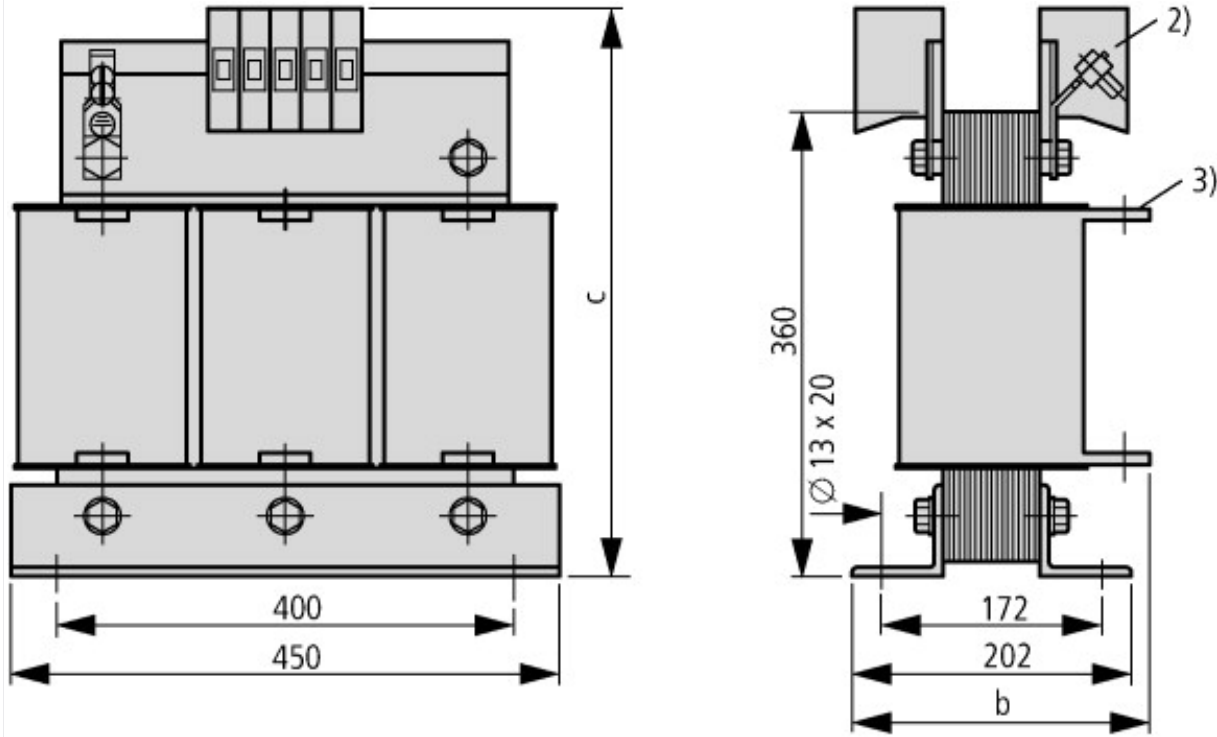
Low-voltage industrial components (EG000017) / Three-phase control transformer (EC002485)		
Electric engineering, automation, process control engineering / Transformer, converter, coil / Control transformer / Three-phase control transformer (ec1@ss8.1-27-03-13-01 [AAB619012])		
Built as safety transformer		Yes
Built as isolating transformer		Yes
Built as energy saving transformer		No
Primary voltage 1	V	50 - 950
Primary voltage 2	V	50 - 950
Primary voltage 3	V	50 - 950
Primary voltage 4	V	50 - 950
Primary voltage 5	V	50 - 950
Primary voltage 6	V	50 - 950
Primary voltage 7	V	0 - 0
Primary voltage 8	V	0 - 0
Primary voltage 9	V	0 - 0
Primary voltage 10	V	0 - 0
Secondary voltage 1	V	18.5 - 1000
Secondary voltage 2	V	18.5 - 1000
Secondary voltage 3	V	18.5 - 1000
Secondary voltage 4	V	18.5 - 1000
Secondary voltage 5	V	18.5 - 1000
Secondary voltage 6	V	18.5 - 1000
Secondary voltage 7	V	0 - 0
Secondary voltage 8	V	0 - 0
Secondary voltage 9	V	0 - 0
Secondary voltage 10	V	0 - 0
Wiring system		-
Rated power	VA	20000
Type of insulation material acc. IEC 85		B
Short-circuit-proof		No
Relative short circuit voltage	%	3.5
Width	mm	450
Height	mm	434
Depth	mm	251
Degree of protection (IP)		IP00

Approvals

Product Standards		IEC/EN 61558-2-2; CE marking
UL File No.		-
UL Category Control No.		XPTQ2, XPTQ8

CSA File No.	-
CSA Class No.	-
North America Certification	-
Specially designed for North America	No
Suitable for	Branch circuits
Max. Voltage Rating	600 V AC
Degree of Protection	IEC: IP00, UL/CSA Type: -

Dimensions



	b	c
18.5 V	-	-
24 V	251	434
42 V	251	434
110 V	234	434
230-690 V	234	434

- ① The higher rated operating voltage applies
- ② Terminals \cong 25 A
- ③ Connection lugs > 63 A