

Bottom plate, for B=600mm, 2 flange apertures F3A

Part no. AFP-6-CS
Article no. 112917

Delivery program

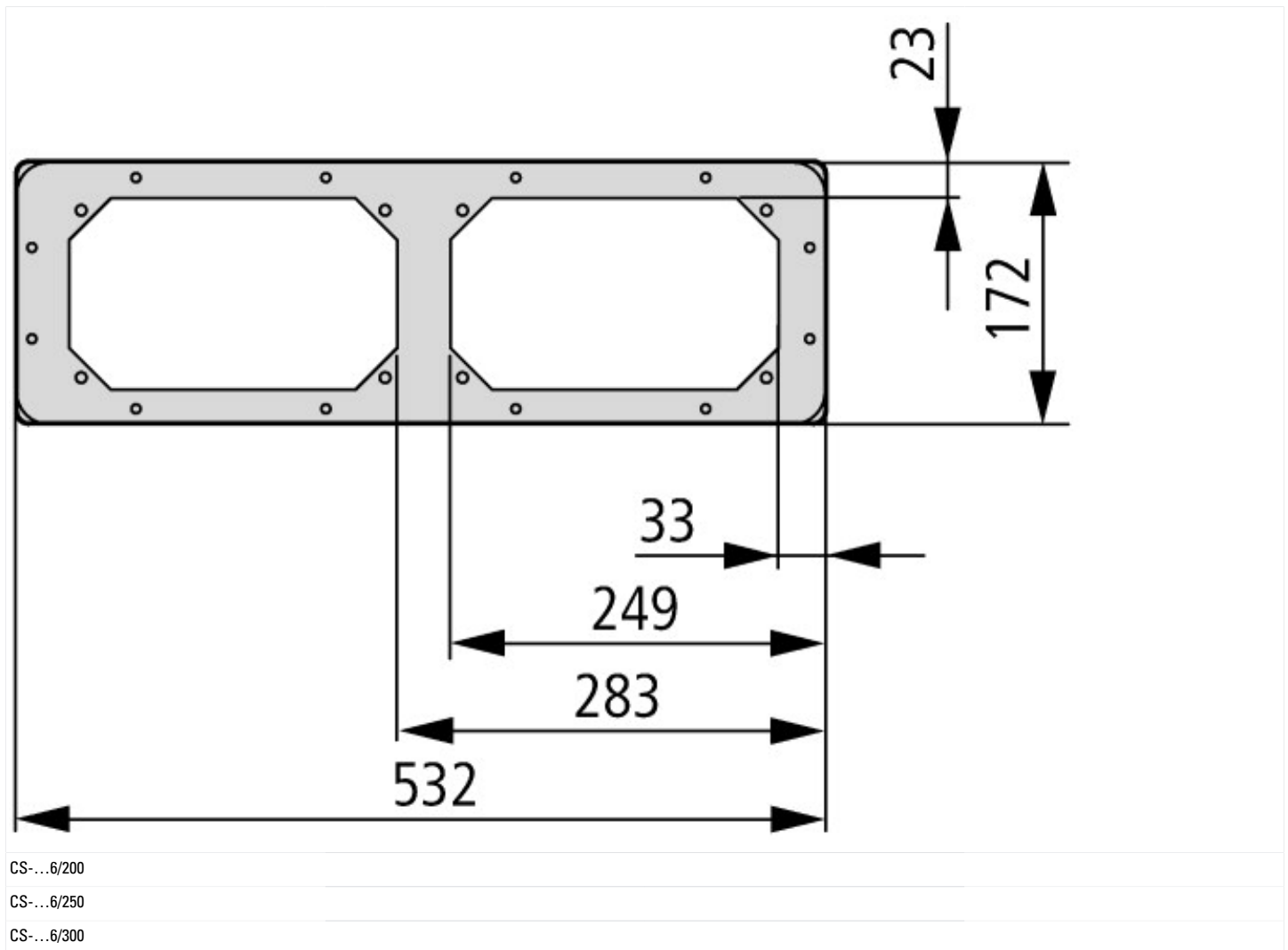
Product range			Accessories CS
Accessories			Bottom plates
Description			for flange F3A With foamed gasket
Function			Usable as a roof plate by turning the enclosure through 180° Not suitable for enclosure CS-.../150
For use with enclosure			
Width		mm	600
Flange apertures	Number		2
Material			Steel plate
Surface finish			With powder coating RAL 7035

Technical data

General		
Degree of Protection		IP66 (if used properly with F3A-... flanges)

Material characteristics		
Material		Steel plate
Surface finish		With powder coating RAL 7035

Dimensions



Additional product information (links)

AWA4300-2524 Bottom panel with flange openings	
AWA4300-2524 Bottom panel with flange openings	ftp://ftp.moeller.net/DOCUMENTATION/AWA_INSTRUCTIONS/25240810.pdf
Declaration of conformity	http://intranet.moeller.net/technik_daten/file/produkt_deklarationen/file/konformitaeten/00002/00002259.pdf