

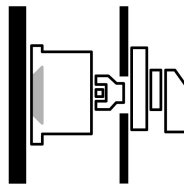
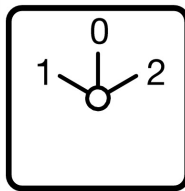


Changeoverswitches, Contacts: 14, 32 A, front plate: 1-0-2, 60 °, maintained, rear mounting

Part no. T3-7-8363/Z
Article no. 005576



Delivery program

Product range			Control switches																																																																																																																				
Part group reference			T3																																																																																																																				
Basic function			Changeoverswitches with black thumb grip and front plate																																																																																																																				
Contacts			14																																																																																																																				
Degree of Protection			Front IP65																																																																																																																				
Design			rear mounting																																																																																																																				
																																																																																																																							
Contact sequence			<table border="1" style="margin-left: auto; margin-right: auto;"> <thead> <tr> <th></th> <th>1</th> <th>0</th> <th>2</th> </tr> </thead> <tbody> <tr><td>1 o</td><td>X</td><td></td><td></td></tr> <tr><td>2 o</td><td></td><td></td><td>X</td></tr> <tr><td>3 o</td><td></td><td></td><td></td></tr> <tr><td>4 o</td><td></td><td></td><td>X</td></tr> <tr><td>5 o</td><td>X</td><td></td><td></td></tr> <tr><td>6 o</td><td></td><td></td><td></td></tr> <tr><td>7 o</td><td></td><td>X</td><td></td></tr> <tr><td>8 o</td><td></td><td></td><td></td></tr> <tr><td>9 o</td><td>X</td><td></td><td></td></tr> <tr><td>10 o</td><td></td><td></td><td></td></tr> <tr><td>11 o</td><td></td><td></td><td>X</td></tr> <tr><td>12 o</td><td></td><td></td><td></td></tr> <tr><td>13 o</td><td>X</td><td></td><td></td></tr> <tr><td>14 o</td><td></td><td></td><td>X</td></tr> <tr><td>15 o</td><td></td><td></td><td></td></tr> <tr><td>16 o</td><td></td><td></td><td>X</td></tr> <tr><td>17 o</td><td>X</td><td></td><td></td></tr> <tr><td>18 o</td><td></td><td></td><td></td></tr> <tr><td>19 o</td><td></td><td></td><td>X</td></tr> <tr><td>20 o</td><td></td><td></td><td></td></tr> <tr><td>21 o</td><td>X</td><td></td><td></td></tr> <tr><td>22 o</td><td></td><td></td><td></td></tr> <tr><td>23 o</td><td></td><td></td><td>X</td></tr> <tr><td>24 o</td><td></td><td></td><td></td></tr> <tr><td>25 o</td><td>X</td><td></td><td></td></tr> <tr><td>26 o</td><td></td><td></td><td></td></tr> <tr><td>27 o</td><td></td><td></td><td>X</td></tr> <tr><td>28 o</td><td></td><td></td><td></td></tr> </tbody> </table>		1	0	2	1 o	X			2 o			X	3 o				4 o			X	5 o	X			6 o				7 o		X		8 o				9 o	X			10 o				11 o			X	12 o				13 o	X			14 o			X	15 o				16 o			X	17 o	X			18 o				19 o			X	20 o				21 o	X			22 o				23 o			X	24 o				25 o	X			26 o				27 o			X	28 o			
	1	0	2																																																																																																																				
1 o	X																																																																																																																						
2 o			X																																																																																																																				
3 o																																																																																																																							
4 o			X																																																																																																																				
5 o	X																																																																																																																						
6 o																																																																																																																							
7 o		X																																																																																																																					
8 o																																																																																																																							
9 o	X																																																																																																																						
10 o																																																																																																																							
11 o			X																																																																																																																				
12 o																																																																																																																							
13 o	X																																																																																																																						
14 o			X																																																																																																																				
15 o																																																																																																																							
16 o			X																																																																																																																				
17 o	X																																																																																																																						
18 o																																																																																																																							
19 o			X																																																																																																																				
20 o																																																																																																																							
21 o	X																																																																																																																						
22 o																																																																																																																							
23 o			X																																																																																																																				
24 o																																																																																																																							
25 o	X																																																																																																																						
26 o																																																																																																																							
27 o			X																																																																																																																				
28 o																																																																																																																							
Switching angle		°	60																																																																																																																				
Switching performance			maintained With 0 (Off) position																																																																																																																				
Front plate no.			 FS 684																																																																																																																				
front plate			1-0-2																																																																																																																				
Motor rating AC-23A, 50 - 60 Hz																																																																																																																							
400 V	P	kW	15																																																																																																																				
Rated uninterrupted current	I _u	A	32																																																																																																																				

Number of contact units	contact unit(s)	7
-------------------------	-----------------	---

Technical data

General

Standards			IEC/EN 60947, VDE 0660, IEC/EN 60204, CSA, UL Switch-disconnector according to IEC/EN 60947-3
Climatic proofing			Damp heat, constant, to IEC 60068-2-78 Damp heat, cyclic, to IEC 60068-2-30
Ambient temperature			
Open		°C	-25 - +50
Enclosed		°C	-25 - +40
Overvoltage category/pollution degree			III/3
Rated impulse withstand voltage	U_{imp}	V AC	6000
Mechanical shock resistance		g	15
Mounting position			As required
Protection against direct contact when actuated from front (EN 50274)			Finger and back-of-hand proof

Contacts

Electrical characteristics			
Rated operational voltage	U_e	V AC	690
Rated uninterrupted current	I_u	A	32
Note on rated uninterrupted current I_u			Rated uninterrupted current I_u is specified for max. cross-section.
Load rating with intermittent operation, class 12			
AB 25 % DF		$\times I_e$	2
AB 40 % DF		$\times I_e$	1.6
AB 60 % DF		$\times I_e$	1.3
Short-circuit rating			
Fuse		A gG/gL	35
Rated short-time withstand current (1 s current)	I_{cw}	A_{rms}	650
Note on rated short-time withstand current I_{cw}			Current for a time of 1 second
Rated conditional short-circuit current	I_q	kA	1

Switching capacity

cos φ rated making capacity as per IEC 60947-3		A	320
Rated breaking capacity cos φ to IEC 60947-3		A	
230 V		A	260
400/415 V		A	260
500 V		A	240
690 V		A	170
Safe isolation to EN 61140			
between the contacts		V AC	440
Current heat loss per contact at I_e		W	1.1
Current heat loss per auxiliary circuit at I_e (AC-15/230 V)		CO	1.1
Lifespan, mechanical	Operations	$\times 10^6$	> 0.5
Maximum operating frequency	Operations/h		1200
AC			
AC-3			
Rating, motor load switch	P	kW	
220 V 230 V	P	kW	5.5
230 V Star-delta	P	kW	7.5
400 V 415 V	P	kW	11
400 V Star-delta	P	kW	15
500 V	P	kW	15
500 V Star-delta	P	kW	18.5
690 V	P	kW	11
690 V Star-delta	P	kW	22
Rated operational current motor load switch			

230 V	I _e	A	23.7
230 V star-delta	I _e	A	32
400V 415 V	I _e	A	23.7
400 V star-delta	I _e	A	32
500 V	I _e	A	23.7
500 V star-delta	I _e	A	32
690 V	I _e	A	14.7
690 V star-delta	I _e	A	25.5
AC-21A			
Rated operational current switch			
440 V	I _e	A	32
AC-23A			
Motor rating AC-23A, 50 - 60 Hz	P	kW	
230 V	P	kW	7.5
400 V 415 V	P	kW	15
500 V	P	kW	15
690 V	P	kW	15
Rated operational current motor load switch			
230 V	I _e	A	32
400 V 415 V	I _e	A	32
500 V	I _e	A	26.4
690 V	I _e	A	17
DC			
DC-1, Load-break switches L/R = 1 ms			
Rated operational current	I _e	A	25
Voltage per contact pair in series		V	60
DC-21A	I _e	A	
Rated operational current	I _e	A	1
Contacts		Quantity	1
DC-23A, motor load switch L/R = 15 ms			
24 V			
Rated operational current	I _e	A	25
Contacts		Quantity	1
48 V			
Rated operational current	I _e	A	25
Contacts		Quantity	2
60 V			
Rated operational current	I _e	A	25
Contacts		Quantity	3
120 V			
Rated operational current	I _e	A	12
Contacts		Quantity	3
240 V			
Rated operational current	I _e	A	5
Contacts		Quantity	5
DC-13, Control switches L/R = 50 ms			
Rated operational current	I _e	A	20
Voltage per contact pair in series		V	24
Control circuit reliability at 24 V DC, 10 mA	Fault probability	H _F	< 10 ⁻⁵ , < 1 fault in 100000 operations
Terminal capacities			
Solid or stranded		mm ²	1 x (1 - 6) 2 x (1 - 6)
Flexible with ferrules to DIN 46228		mm ²	1 x (0.75 - 4) 2 x (0.75 - 4)

Terminal screw		M4
Max. tightening torque	Nm	1.6

Technical safety parameters:

Notes		B10 _q values as per EN ISO 13849-1, table C1
-------	--	---

Rating data for approved types

Contacts			
Rated operational voltage	U _e	V AC	600
Rated uninterrupted current max.			
Main conducting paths			
General use	I _u	A	25
Auxiliary contacts			
General Use	I _u	A	10
Pilot Duty			A 600 P 600
Switching capacity			
Maximum motor rating			
Single-phase			
120 V AC		HP	1.5
200 V AC		HP	3
240 V AC		HP	3
Three-phase			
200 V AC		HP	3
240 V AC		HP	3
480 V AC		HP	7.5
600 V AC		HP	10
Short Circuit Current Rating			
SCCR			
Basic Rating		kA	5
max. Fuse		A	40
High fault rating		kA	10
max. Fuse		A	40, Class J
Terminal capacity			
Solid or flexible conductor with ferrule		AWG	14 - 10
Terminal screw			M4
Tightening torque		lb-in	17.6

Design verification as per IEC/EN 61439

Technical data for design verification			
Operating ambient temperature min.		°C	-25
Operating ambient temperature max.		°C	50

Technical data ETIM 6.0

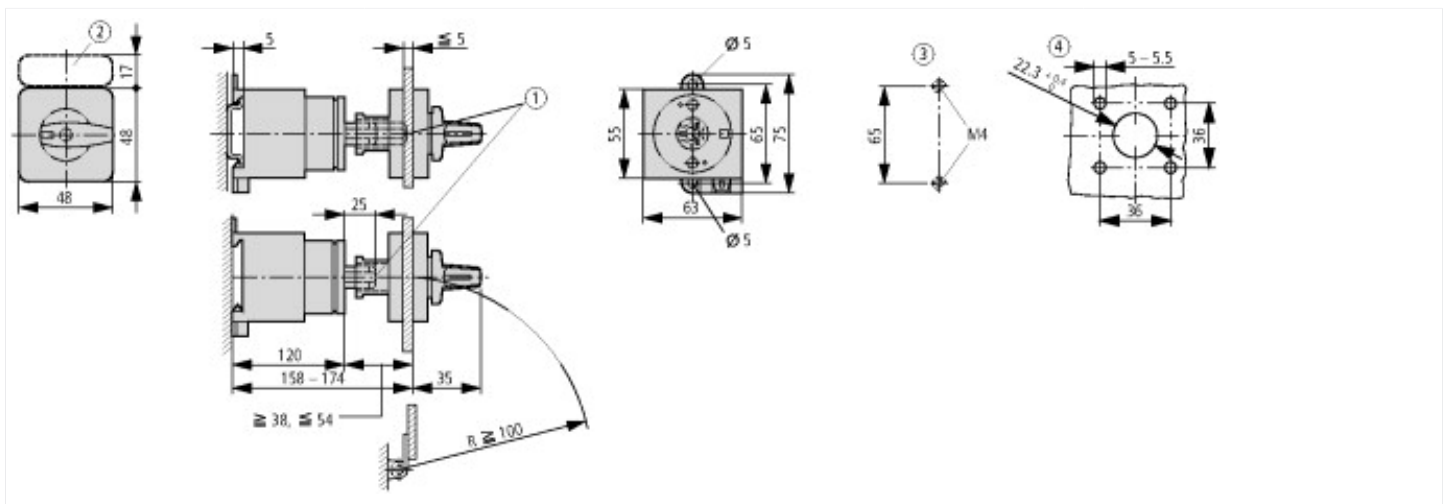
Low-voltage industrial components (EG000017) / Switch disconnecter (EC000216)			
Electric engineering, automation, process control engineering / Low-voltage switch technology / Off-load switch, circuit breaker, control switch / Switch disconnecter (ecl@ss8.1-27-37-14-03 [AKF060010])			
Version as main switch			No
Version as maintenance-/service switch			No
Version as safety switch			No
Version as emergency stop installation			No
Version as reversing switch			No
Max. rated operation voltage U _e AC		V	690
Rated operating voltage		V	690 - 690
Rated permanent current I _u		A	32
Rated permanent current at AC-21, 400 V		A	32
Rated operation power at AC-3, 400 V		kW	11
Rated short-time withstand current I _{cw}		kA	0.65
Rated operation power at AC-23, 400 V		kW	15

Switching power at 400 V	kW	15
Conditioned rated short-circuit current Iq	kA	1
Number of poles		14
Number of auxiliary contacts as normally closed contact		0
Number of auxiliary contacts as normally open contact		0
Number of auxiliary contacts as change-over contact		0
Motor drive optional		No
Motor drive integrated		No
Voltage release optional		No
Device construction		Built-in device fixed built-in technique
Suitable for ground mounting		Yes
Suitable for front mounting 4-hole		No
Suitable for front mounting center		No
Suitable for distribution board installation		Yes
Suitable for intermediate mounting		Yes
Colour control element		Black
Type of control element		Toggle
Interlockable		No
Type of electrical connection of main circuit		Screw connection
Degree of protection (IP), front side		IP65

Approvals

Product Standards		UL 508; CSA-C22.2 No. 14-05; CSA-C22.2 No. 94; IEC/EN 60947-3; CE marking
UL File No.		E36332
UL Category Control No.		NLRV
CSA File No.		12528
CSA Class No.		3211-05
North America Certification		UL listed, CSA certified
Suitable for		Branch circuits, suitable as motor disconnect
Degree of Protection		IEC: IP65; UL/CSA Type 1, 12

Dimensions



- ① Shaft extension with ZAV-T0 possible, max. 4 x 25 = 100 mm
- ② ZFS... Label mount not included as standard
- ③ Drilling dimensions base
- ④ Drilling dimensions door

Additional product information (links)

IL03801021Z (AWA1150-0587) Cam switches: rear mounting

IL03801021Z (AWA1150-0587) Cam switches: rear mounting ftp://ftp.moeller.net/DOCUMENTATION/AWA_INSTRUCTIONS/IL03801021Z2016_07.pdf

Technical overview cam switch, switch-disconnector	http://de.ecat.moeller.net/flip-cat/?edition=HPLTEv1&startpage=4.2
System overview cam switch T	http://de.ecat.moeller.net/flip-cat/?edition=HPLTEv1&startpage=4.4
System overview switch-disconnector P	http://de.ecat.moeller.net/flip-cat/?edition=HPLTEv1&startpage=4.6
Key to part numbers Cam switch	http://de.ecat.moeller.net/flip-cat/?edition=HPLTEv1&startpage=4.8
Key to part numbers Switch-disconnector	http://de.ecat.moeller.net/flip-cat/?edition=HPLTEv1&startpage=4.8
Switches for ATEX	http://www.coopercrouse-hinds.eu/en/products/25-ex-safety-and-main-current-switches.html