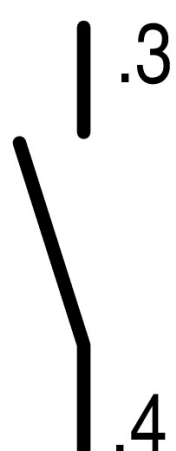



**contact element**



**Part no.** M22-FK10  
**Article no.** 180792  
**Catalog No.** M22-FK10



**Delivery program**

Product range		Accessories
Single unit/Complete unit		Element
Basic function accessories		Contact elements
Connection technique		Cage Clamp
Fixing		Front fixing
Description		Cage Clamp is a registered trademark of Wago Kontakttechnik GmbH/Minden, Germany
<b>Contacts</b>		
N/O = Normally open		1 N/O
<b>Actuator travel and actuation force as per DIN EN 60947-5-1, K.5.4.1</b>		
Minimum force for positive opening	N	0
Contact sequence		
Contact travel diagram, stroke in connection with front element		
Degree of Protection		IP20
Connection to SmartWire-DT		no

**Technical data**

<b>General</b>		
Standards		IEC 60947-5-1
Lifespan, mechanical	Operations x 10 <sup>6</sup>	> 1
Operating frequency	Operations/h	 3600
Actuating force	n	 4.5
Degree of Protection		IP20
Climatic proofing		Damp heat, constant, to IEC 60068-2-78 Damp heat, cyclic, to IEC 60068-2-30 Dry heat to IEC 60068-2-2

Ambient temperature			
Open		°C	-25 - +70
Storage		°C	- 40 - + 85
Terminal capacities			
Solid		mm <sup>2</sup>	2 x 1 (0.2 - 1.5) 2 x 1 (075 - 1.5) Can be plugged without tools
Flexible with ferrule		mm <sup>2</sup>	2 x 1 (0.25 - 1) Use WAGO Variocrimp 4 crimping tool; please enquire for others
Solid or stranded		AWG	2 x 1 (24 - 16)

### Contacts

Rated impulse withstand voltage	$U_{imp}$	V AC	4000
Rated insulation voltage	$U_i$	V	250
Overvoltage category/pollution degree			III/3
Max. short-circuit protective device			
Fuseless		Type	FAZ-B4
Fuse	gG/gL	A	4

### Switching capacity

Rated operational current	$I_e$	A	
AC-15			
24 V	$I_e$	A	4
60 V	$I_e$	A	4
110 V	$I_e$	A	2
230 V	$I_e$	A	1.5
DC-13			
24 V	$I_e$	A	1.5
60 V	$I_e$	A	0.8
110 V	$I_e$	A	0.4
220 V	$I_e$	A	0.2

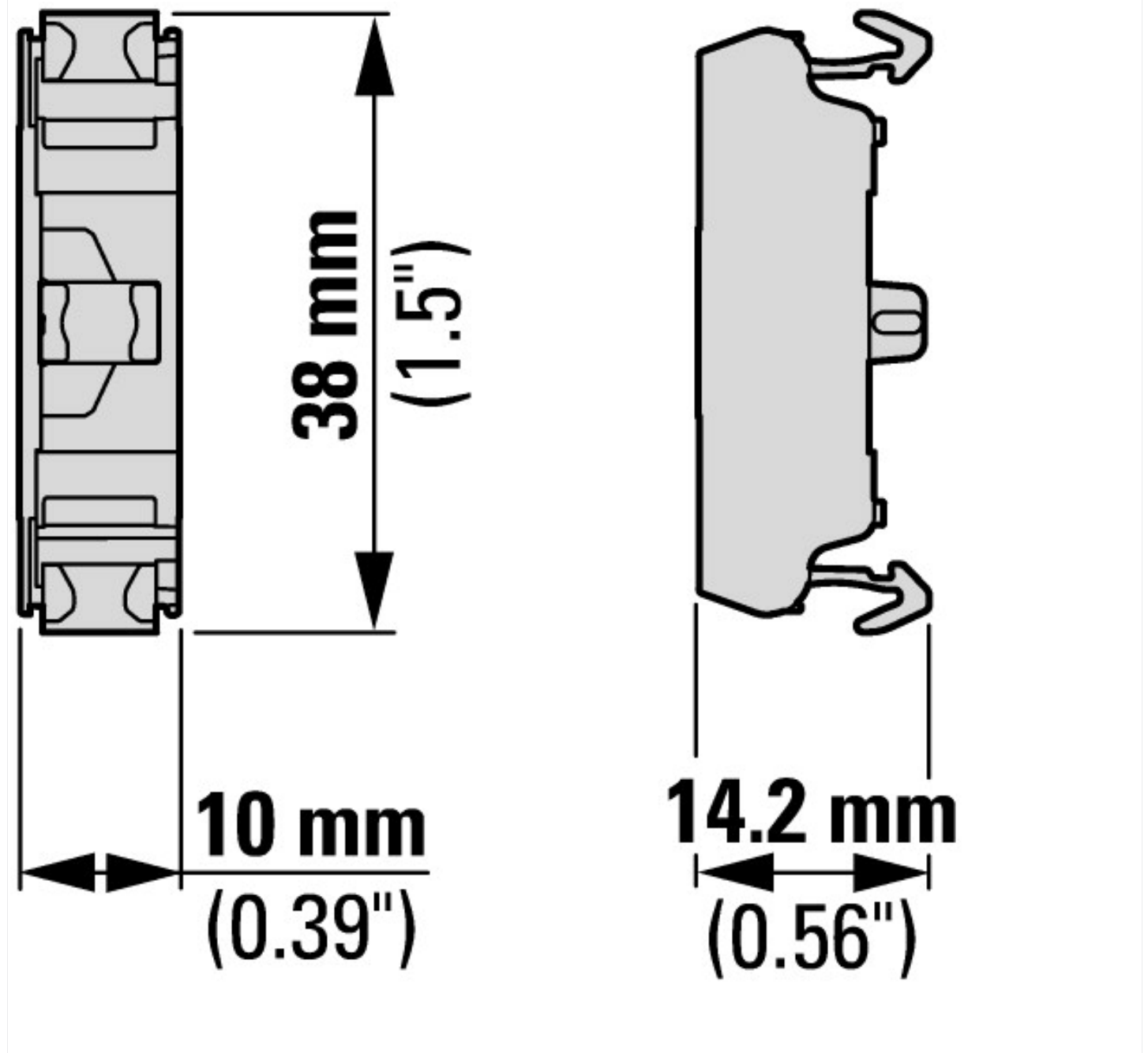
### Design verification as per IEC/EN 61439

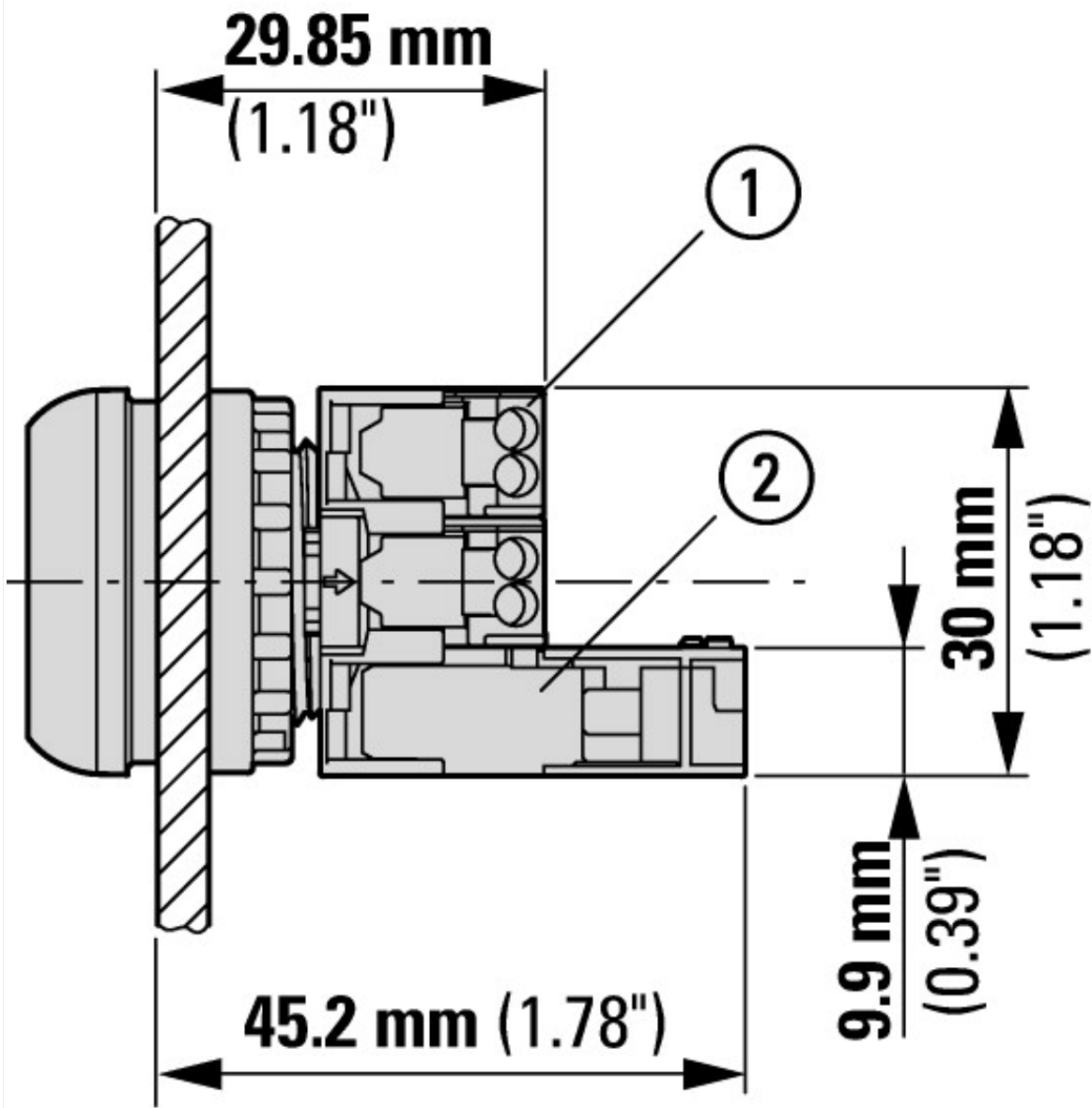
Technical data for design verification			
Operating ambient temperature min.		°C	-25
Operating ambient temperature max.		°C	70

### Technical data ETIM 6.0

Low-voltage industrial components (EG000017) / Auxiliary contact block (EC000041)			
Electric engineering, automation, process control engineering / Low-voltage switch technology / Component for low-voltage switching technology / Auxiliary switch block (ecl@ss8.1-27-37-13-02 [AKN342010])			
Number of contacts as change-over contact			0
Number of contacts as normally open contact			1
Number of contacts as normally closed contact			0
Rated operation current $I_e$ at AC-15, 230 V		A	1.5
Type of electric connection			Spring clamp connection
Model			Top mounting
Mounting method			Front fastening

## Dimensions





- ① M22-FK10(01)
- ② M22-(C)K...