


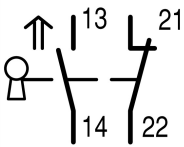




Position switches, 1N/C+1N/O, rounded plunger, +actuator ZB, Cold Climate -40°C

Part no. LS-11S-CC-ZB
Article no. 177187
Catalog No. LS-11S-CC-ZB

Delivery program

Basic function			Position switches Safety position switches
Part group reference			LS(4)...ZB
Product range			Safety position switches
Degree of Protection			IP65
Features			Complete unit
Ambient temperature		°C	-40 - +70
Snap-action contact			Yes
Description			With the actuator inserted, the N/O contact is open and the NC contact is closed.
Approval			
Contacts			
N/O = Normally open			1 N/O
N/C = Normally closed			1 NC 
Notes			 = safety function, by positive opening to IEC/EN 60947-5-1
Contact sequence			
Housing			Insulated material
Connection type			Cage Clamp
Notes			Cage-Clamp is a registered trademark of Wago Kontakttechnik, 32432 Minden, Germany. Accessories for the Cage-Clamp terminals from Wago: power comb, gray, Wago Article No. 264-402

Notes Switch must never be used as a mechanical stop!
Actuator can be repositioned for horizontal or vertical mounting.
The operating heads can be turned manually in 90° steps to suit the specified level of actuation.
With the actuator inserted, the N/O contact is open and the N/C contact is closed.
For degree of protection IP65, use V-M20 (206910) cable glands with connecting thread of max. 9 mm length.

Technical data

General


Standards			IEC/EN 60947
Climatic proofing			Damp heat, constant, to IEC 60068-2-78; damp heat, cyclical, to IEC 60068-2-30
Ambient temperature		°C	-40 - +70
Mounting position			As required
Degree of Protection			IP65
Terminal capacities		mm ²	
Solid		mm ²	1 x (0.5 - 1.5)

Flexible with ferrule		mm ²	2 x (0.5 - 1.5) 1 x (0.5 - 1.5) 2 x (0.5 - 1.5)
Terminal screw			PH1

Contacts/switching capacity

Rated impulse withstand voltage	U _{imp}	V AC	4000
Rated insulation voltage	U _i	V	400
Overvoltage category/pollution degree			III/3
Rated operational current	I _e	A	
AC-15			
24 V	I _e	A	6
220 V 230 V 240 V	I _e	A	6
380 V 400 V 415 V	I _e	A	4
DC-13			
24 V	I _e	A	3
110 V	I _e	A	0.6
220 V	I _e	A	0.3
Supply frequency		Hz	max. 400
Short-circuit rating to IEC/EN 60947-5-1			
max. fuse		A gG/gL	6
Repetition accuracy		mm	0.15

Mechanical variables

Mechanical shock resistance (half-sinusoidal shock, 20 ms)			
Standard-action contact		g	25
Operating frequency	Operations/h		 1800

Design verification as per IEC/EN 61439

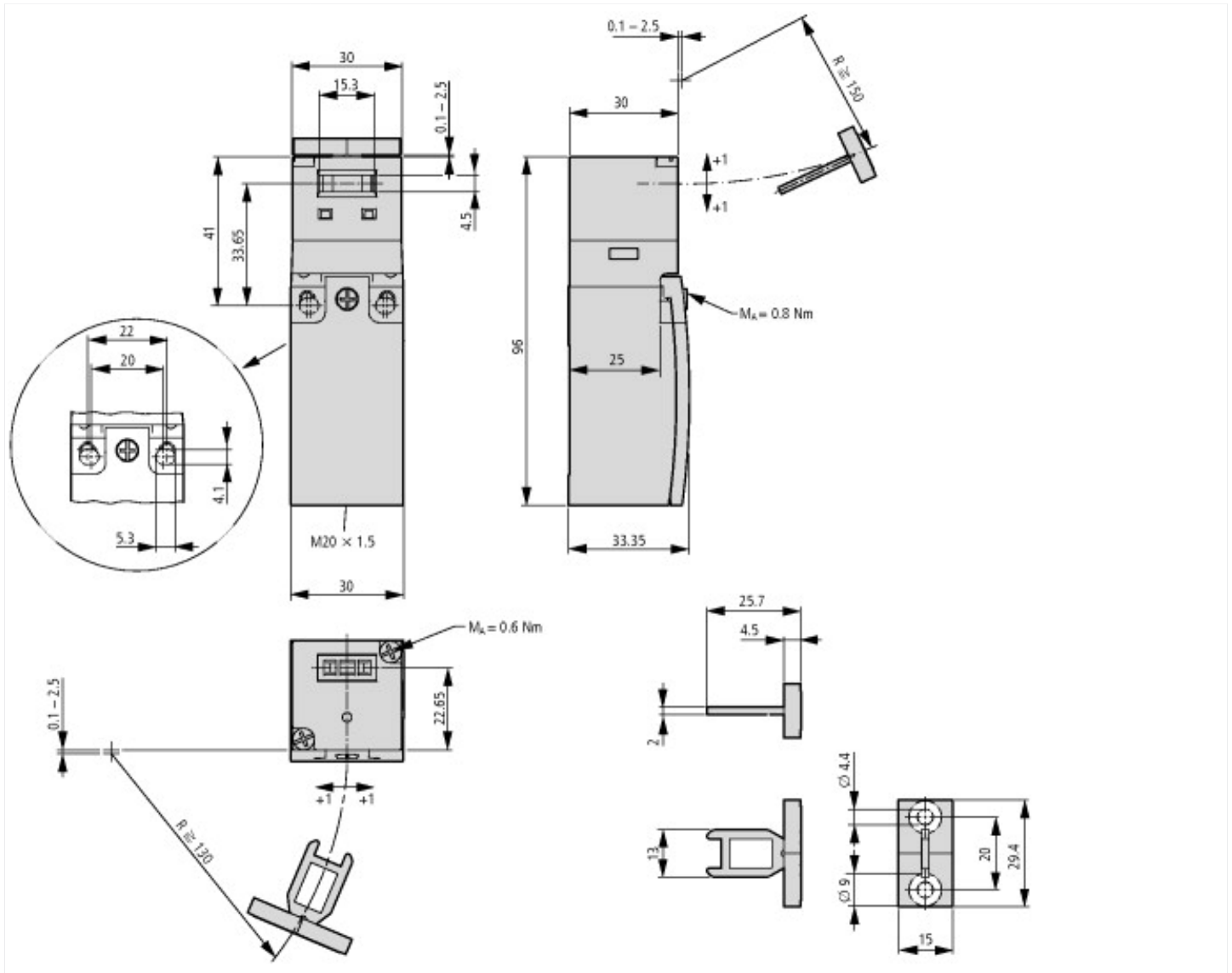
Technical data for design verification			
Operating ambient temperature min.		°C	-40
Operating ambient temperature max.		°C	70

Technical data ETIM 6.0

Sensors (EG000026) / End switch (EC000030)			
Electric engineering, automation, process control engineering / Binary sensor technology, safety-related sensor technology / Position switch / Position switch (Type 1) (ecl@ss8.1-27-27-06-01 [AGZ382012])			
Width sensor		mm	31
Diameter sensor		mm	0
Height of sensor		mm	96
Length of sensor		mm	33.5
Rated operation current I _e at AC-15, 24 V		A	6
Rated operation current I _e at AC-15, 125 V		A	6
Rated operation current I _e at AC-15, 230 V		A	6
Rated operation current I _e at DC-13, 24 V		A	3
Rated operation current I _e at DC-13, 125 V		A	0.8
Rated operation current I _e at DC-13, 230 V		A	0.3
Switching function			Quick-break switch
Output electronic			No
Forced opening			Yes
Number of safety auxiliary contacts			1
Number of contacts as normally closed contact			1
Number of contacts as normally open contact			1
Number of contacts as change-over contact			0
Type of interface			None
Type of interface for safety communication			None
Housing according to norm			DIN EN 50047
Construction type housing			Cuboid

Material housing		Plastic
Coating housing		-
Type of control element		Plunger
Alignment of the control element		-
Type of electric connection		-
With status indication		No
Suitable for safety functions		Yes
Explosion safety category for gas		None
Explosion safety category for dust		None
Ambient temperature during operating	°C	-40 - 70
Degree of protection (IP)		IP65

Dimensions



Switch must not be used as a mechanical stop

Terminal marking according to EN 50 013

Travel [mm]

= Contact closed

= Contact open

Zw = Positive opening sequence

Additional product information (links)

IL05208003Z (AWA1310-2374) Safety position switch

IL05208003Z (AWA1310-2374) Safety position switch ftp://ftp.moeller.net/DOCUMENTATION/AWA_INSTRUCTIONS/IL05208003Z2016_06.pdf

IL05208003Z (AWA1310-2374) Sicherheits-Positionsschalter ftp://ftp.moeller.net/DOCUMENTATION/AWA_INSTRUCTIONS/IL05208003Z2016_06.pdf

IL05208004Z (AWA1310-2367) Sicherheits-Positionsschalter

IL05208004Z (AWA1310-2367) Sicherheits-Positionsschalter ftp://ftp.moeller.net/DOCUMENTATION/AWA_INSTRUCTIONS/IL05208004Z2016_06.pdf

